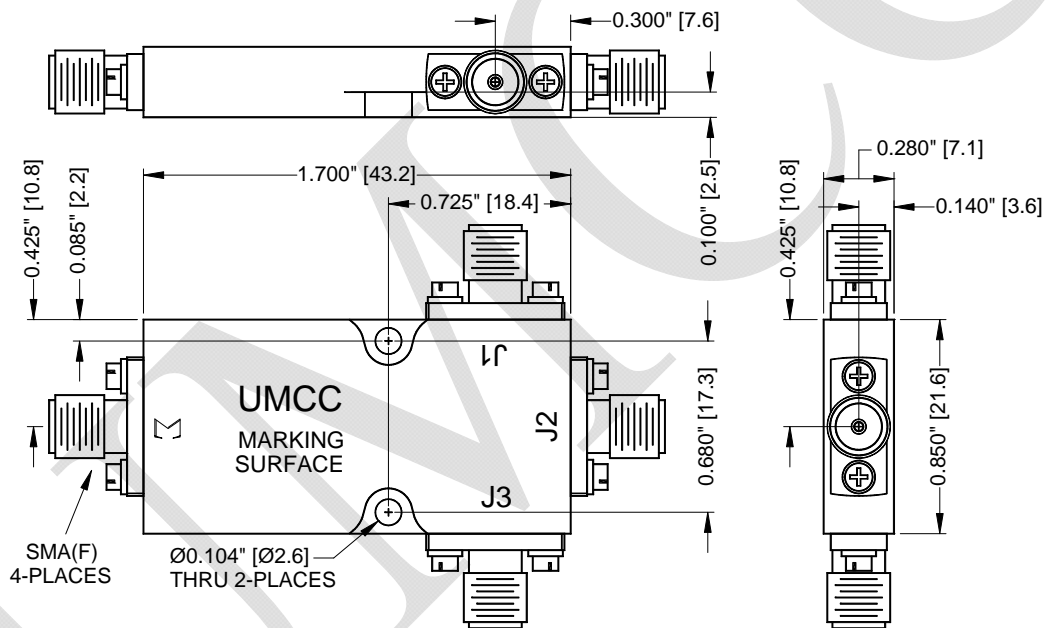


Fig. 2

Outline Drawing (3-Way Divider)

Model
PD-M000-3S



Weight	Tolerances
0.95 oz [26.9 g]	± 0.015" [± 0.38 mm]