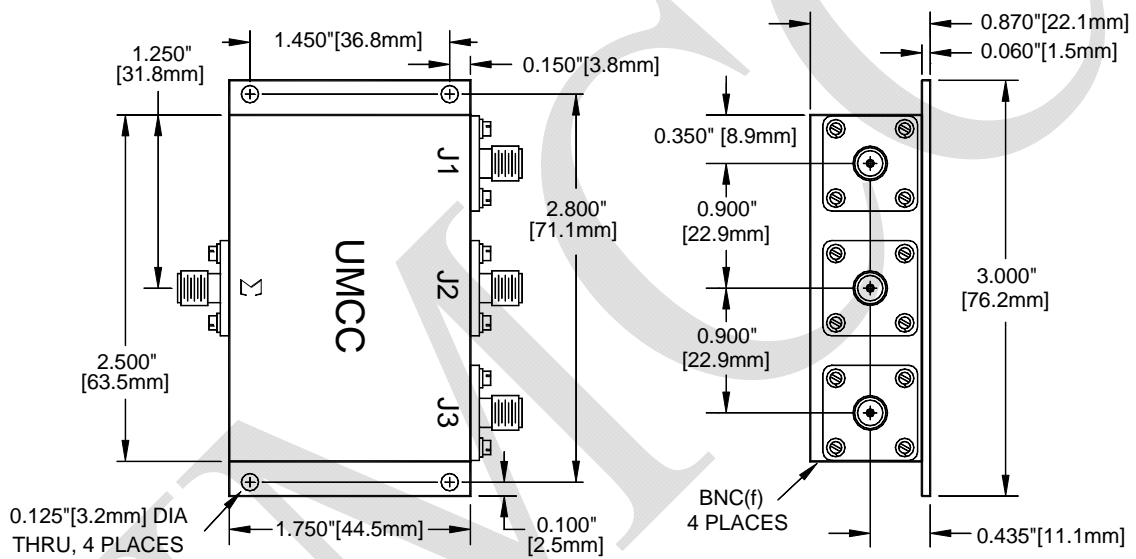


**Outline Drawing (3-Way Divider)**

**Fig. 21-S**

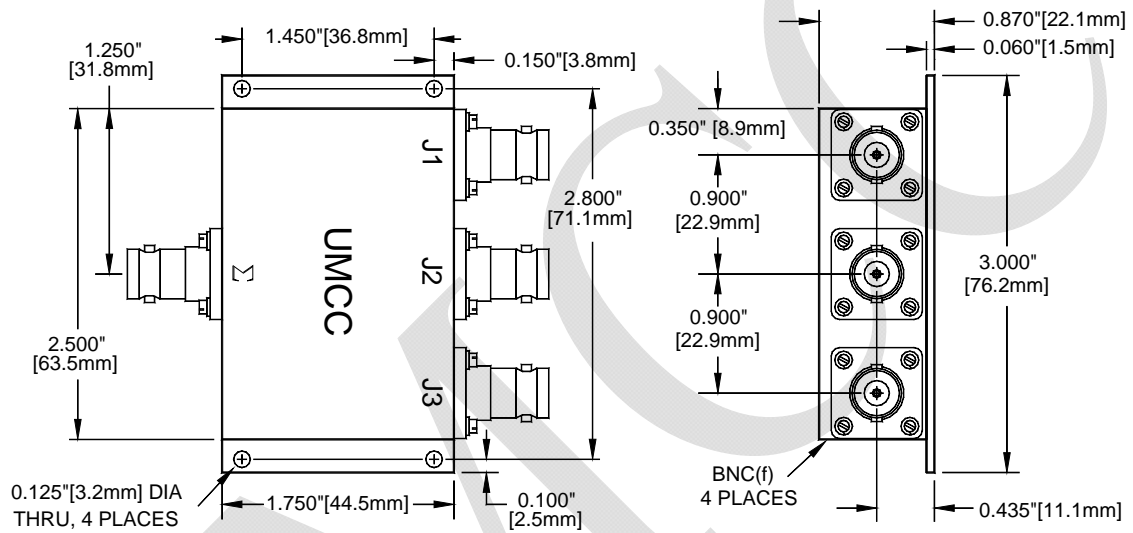
Models	Connector	Weight
PD-0010-3S	All SMA(f)	3.3 oz [ 93.6 g ]
PD-0500-3S		
PD-1000-3S		



Tolerances
± 0.015" [ ± 0.38 mm ]

Fig. 21-B

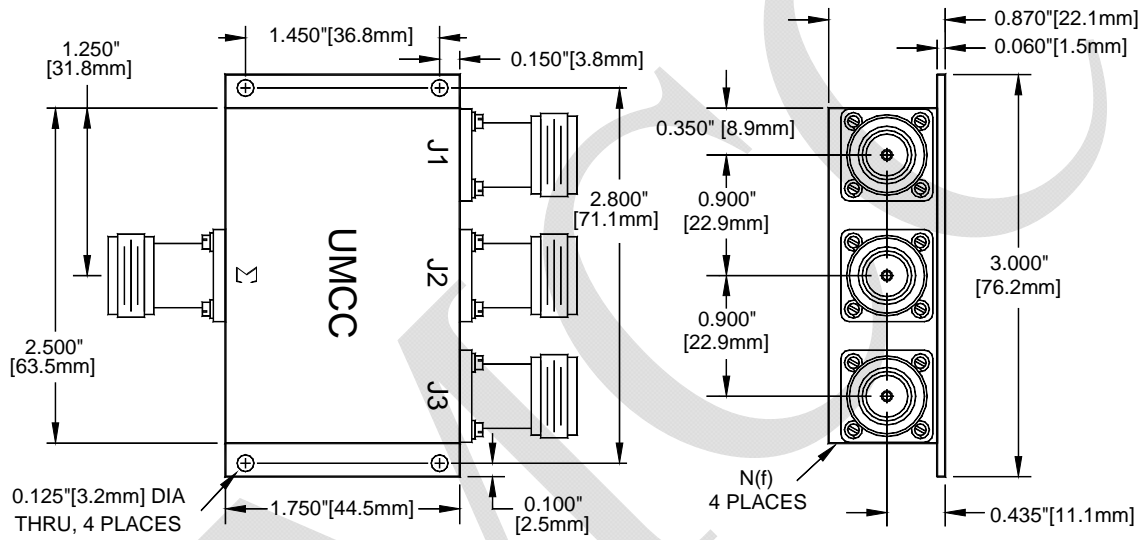
Models	Connector	Weight
PD-0010-3B	All BNC(f)	
PD-0500-3B		
PD-1000-3B		



Tolerances
± 0.015" [ ± 0.38 mm ]

Fig. 21-N

Models	Connector	Weight
PD-0010-3N	All N(f)	
PD-0500-3N		
PD-1000-3N		



Tolerances
± 0.015" [ ± 0.38 mm ]