

Outline Drawing (4-Way Divider)

Fig. 21-S

Model	Connector	Weight	Tolerances
PS-003A-4S	All SMA(f)	5.3 oz [150g]	±0.015" [±0.38mm]

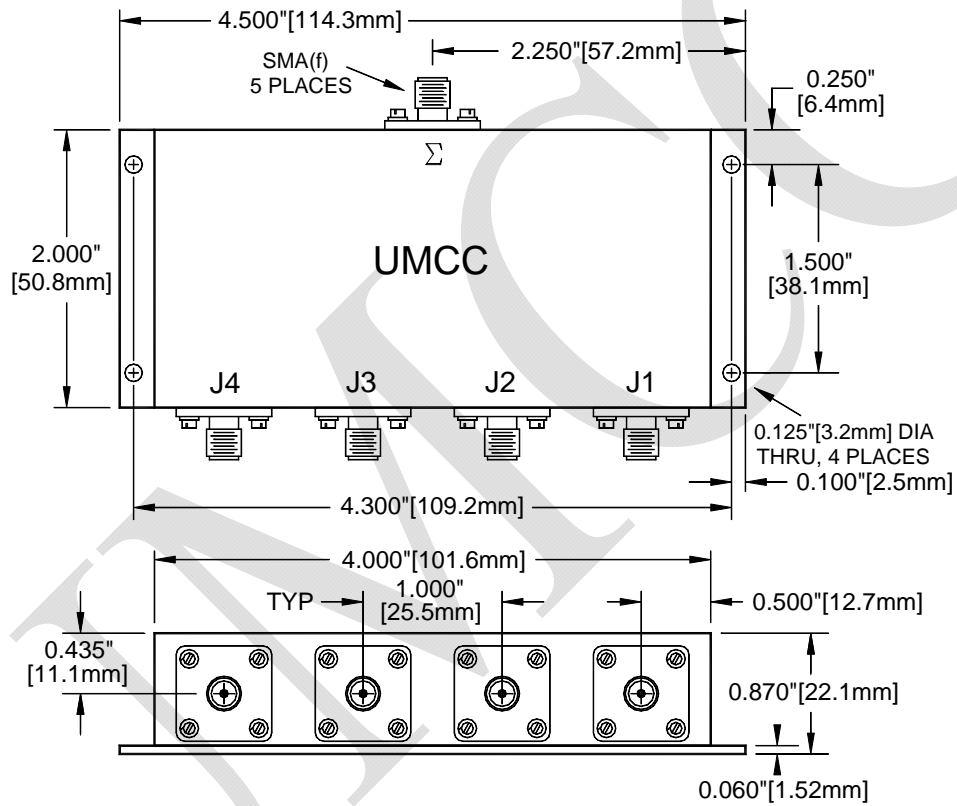


Fig. 21-B

Model	Connector	Weight	Tolerances
PS-003A-4B	All BNC(f)	6.7oz [190 g]	$\pm 0.015''$ [$\pm 0.38\text{mm}$]

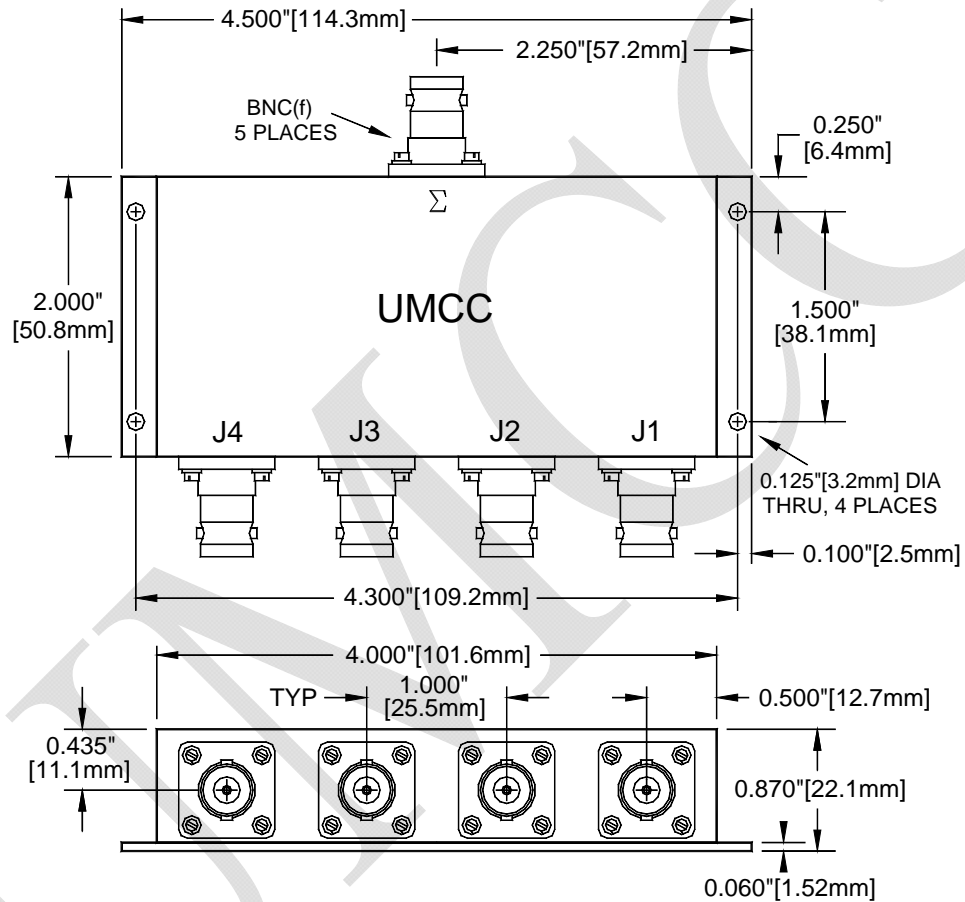


Fig. 21-N

Model	Connector	Weight	Tolerances
PS-003A-4N	All N(f)		$\pm 0.015"$ [$\pm 0.38\text{mm}$]

