

Outline Drawing (6-Way Divider)

Fig. 22-S

Model	Connector	Weight	Tolerances
PS-1000-6S	All SMA(f)	4.2 oz [119 g]	$\pm 0.015"$ [$\pm 0.38\text{mm}$]

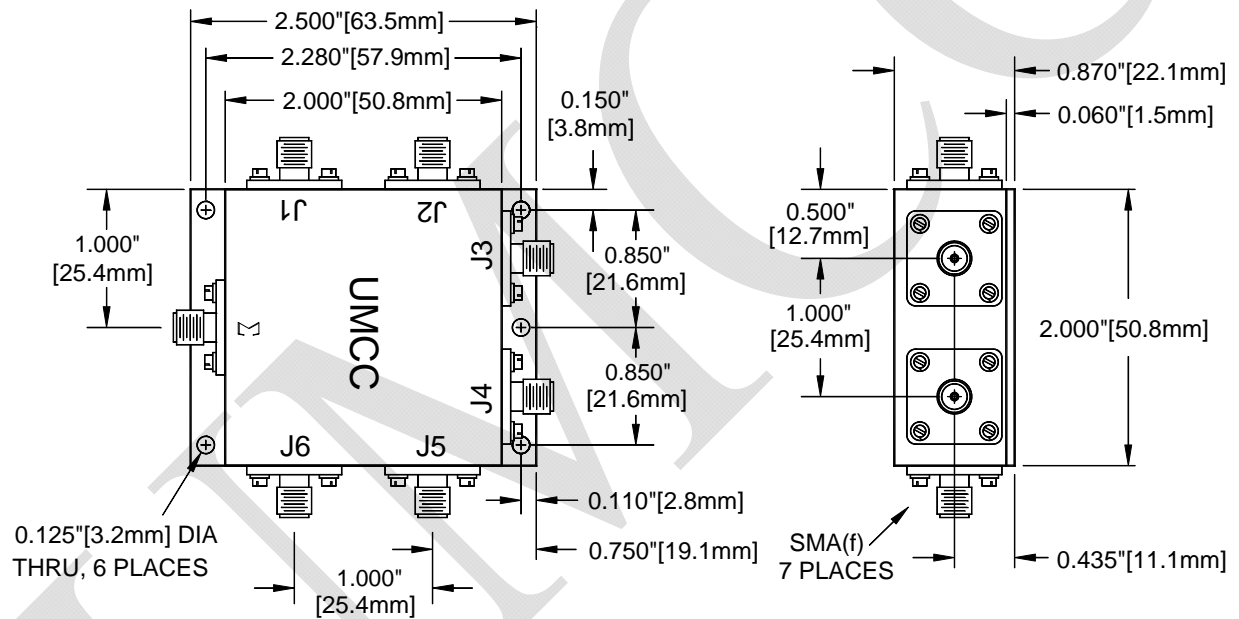


Fig. 22-B

Model	Connector	Weight	Tolerances
PS-1000-6B	All BNC(f)		$\pm 0.015"$ [$\pm 0.38\text{mm}$]

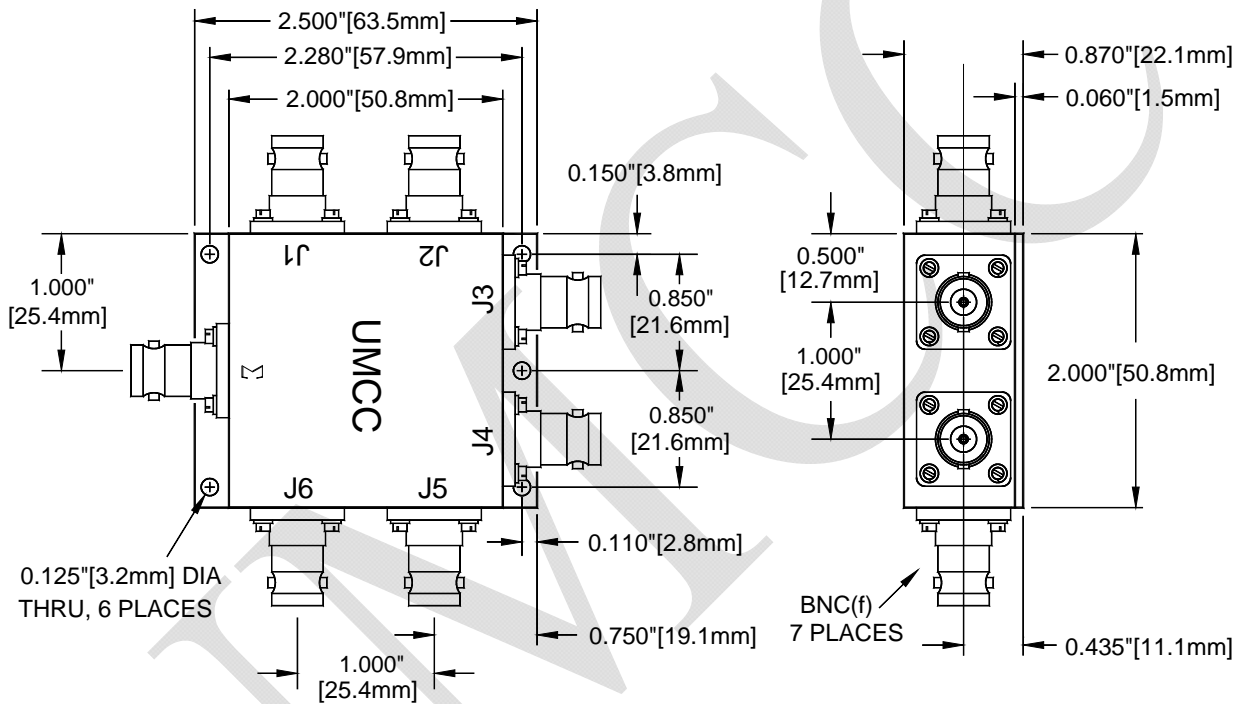


Fig. 22-N

Model	Connector	Weight	Tolerances
PS-1000-6N	All N(f)		$\pm 0.015"$ [$\pm 0.38\text{mm}$]

