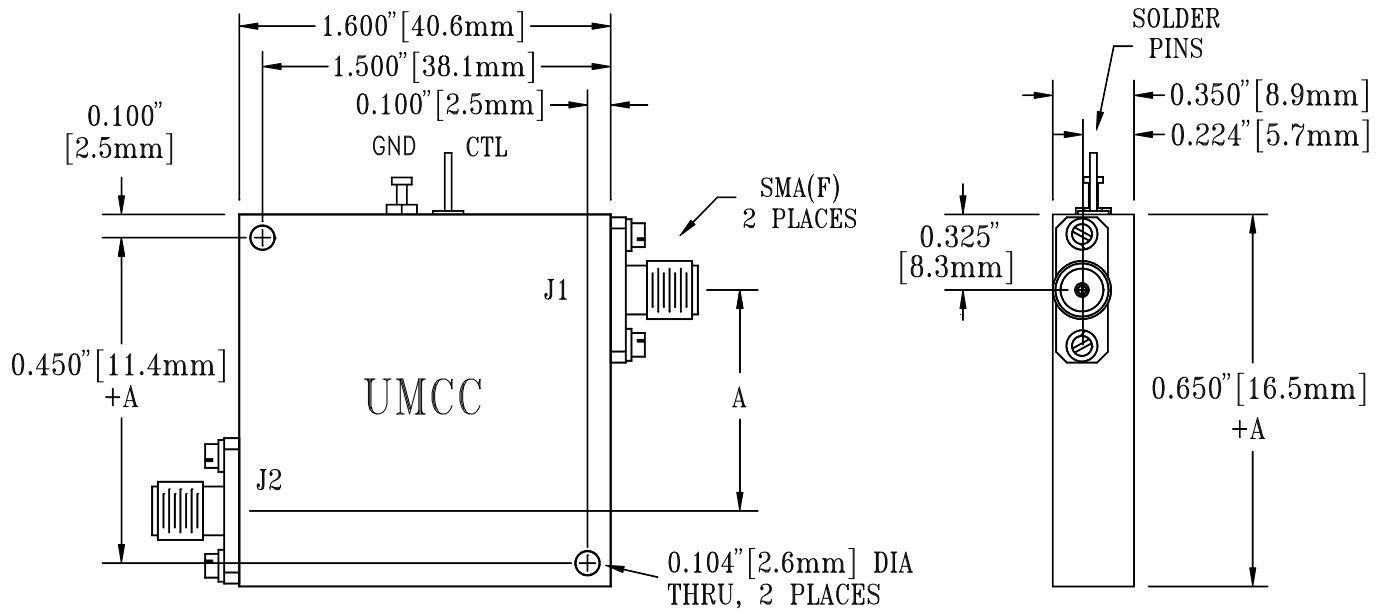


# Universal Microwave Components Corp.

## Outline Drawing

| Standard Model | "A"             |
|----------------|-----------------|
| AE-C000-40C    | 1.350" [34.3mm] |
| AE-CD00-40C    | 0.950" [24.1mm] |
| AE-D000-40C    | 0.760" [19.3mm] |
| AE-H000-40C    | 0.515" [13.1mm] |
| AE-E000-40C    | 0.435" [11.0mm] |



Tolerances:  $\pm 0.015$ " [0.38mm]