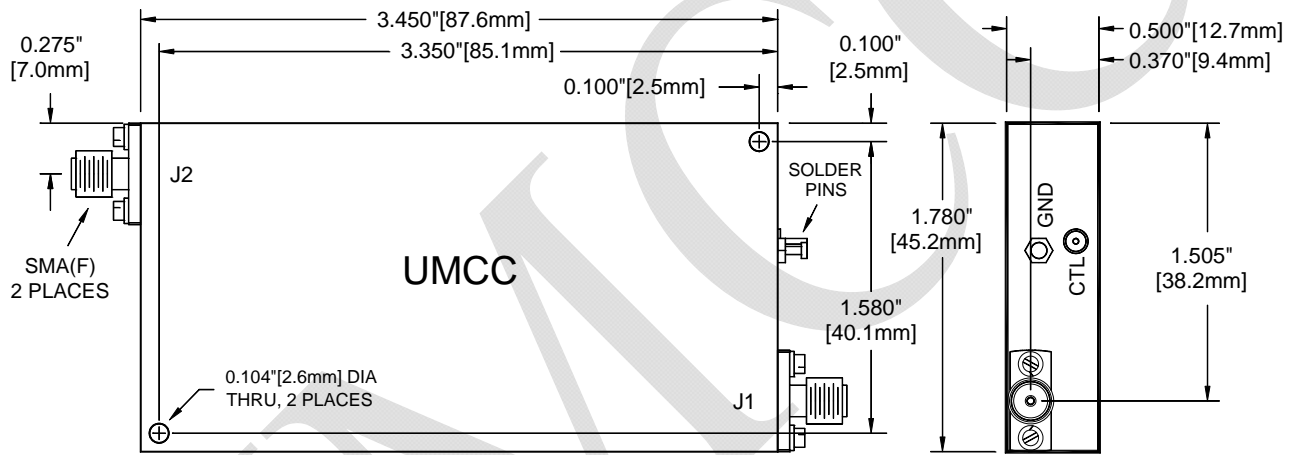


Outline Drawing

Standard Models
AT-B000-HC
AE-B000-40C



(Tolerances: $\pm 0.015"$ [0.38mm])