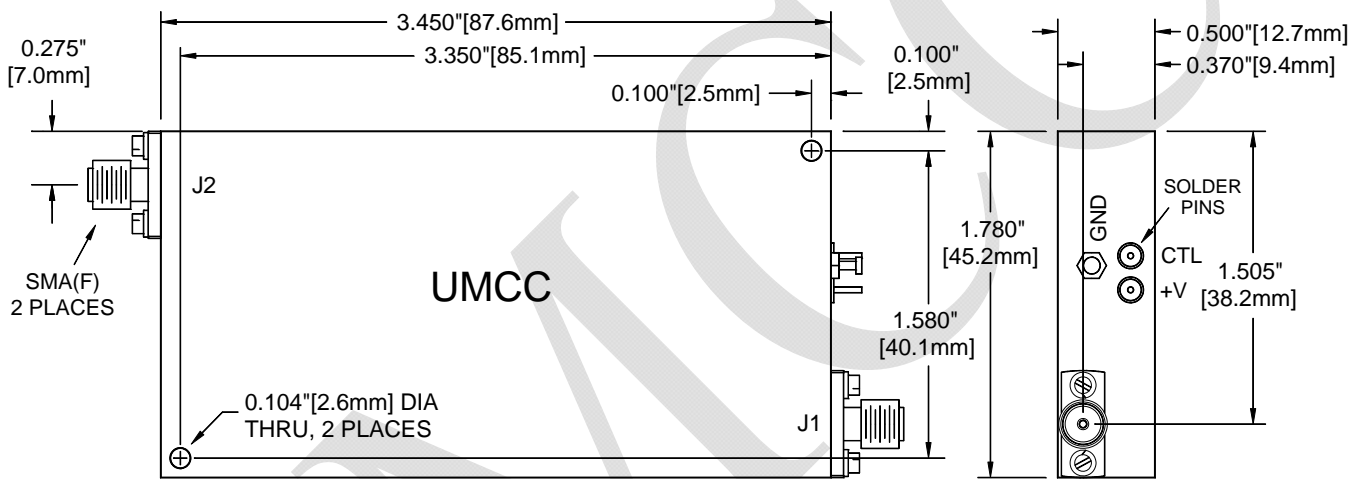


Outline Drawing

Standard Models
AG-B000-HV
AE-B000-40V



(Tolerances: ± 0.015 " [0.38mm])