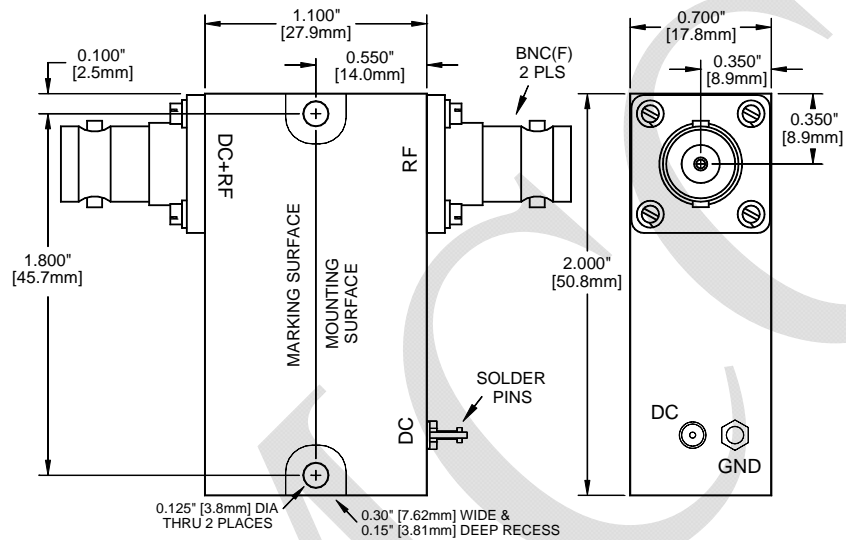


**Outline Drawing**

**Fig. 10-B**

Models
BT-H007-B



**Fig. 10-BB**

Models
BT-H007-BB

