



Model: AG-B000-HD

Description:	Digital Controlled PIN Attenuator
Operating Frequency:	500 - 1000 MHz
Insertion Loss (0dB Attn. Ref.):	1.7 dB Max
Attenuation Range:	0 - 60dB Nominal Min
Attenuation Flatness: 0.6 dB PK-PK	up to 10 dB
 1.6 dB PK-PK	up to 20 dB
 2.8 dB PK-PK	up to 40 dB
 3.0 dB PK-PK	up to 50 dB
 3.2 dB PK-PK	up to 60 dB
Control Function:	8 Bit Positive Binary TTL (LSB=0.25 dB, MSB=32dB)
Transfer Function Accuracy: 0 – 0.8 dB	±50% Max
 > 0.8 – 10 dB	±0.40 dB Max
 > 10 - 30 dB	±0.50 dB Max
 > 30 - 50 dB	±0.90 dB Max
 > 50 - 60 dB	±1.20 dB Max
VSWR (all settings):	1.4:1 Max
Settling Time (“±1dB of Target Setting”):	750 ns Max, (10µs<PW<0.1s)
Power Handling: Operating	+12 dBm CW/Peak Max
 Survival	+30 dBm CW/AVG Max
Connectors (RF):	SMA (f), Removable
Connector (Supply & Controls):	15-Pin D-Type Male
Temperature Coefficient (over -20°C to +75°C):	±0.025dB/°C Max
Power Supply (internally regulated):	+12 to +15vdc @ 60mA Max
Impedance:	50 Ohms Nominal
Quality:	Best-Commercial-Grade

Environmental Ratings:

Temperature:	{Operating: -40°C to +85°C} & {Storage: -50°C to +100°C}
Humidity:	MIL-STD-202F, Method 103B Cond. B (96 hours at 95% R.H.)
Shock:	MIL-STD-202F, Method 213B, Cond. B (75G, 6mSec)
Vibration:	MIL-STD-202F, Method 204D, Cond. B (.06” double amplitude, or 15G)
Altitude:	MIL-STD-202F, Method 105C, Cond. B (50,000 Feet)
Temp. Shock:	MIL-STD-202F, Method 107D, Cond. A (5 cycles)

Available Options:

(Units with listed options here may be subject to some specification tradeoffs from the standard, consult factory)

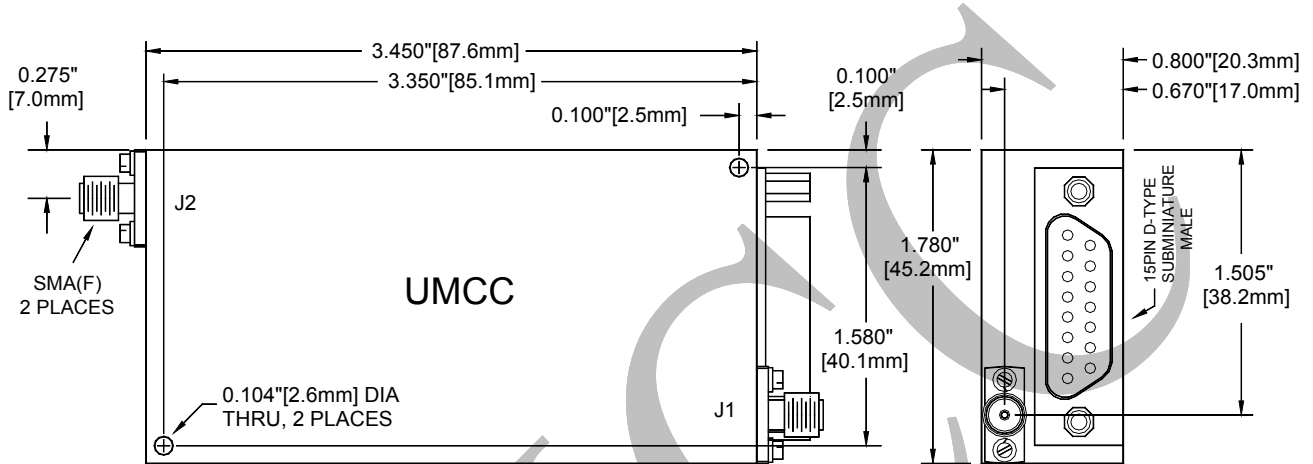
- RF Connectors
 - B1 [J1 SMA (male)]
 - B2 [All SMA (male)]
- Control Function Resolution
 - E1 [LSB = 1/8 dB <> 9-Bits <> “fractional steps”]
 - R1 [LSB = 0.1 dB <> 10-Bits <> “decimal steps”]
 - E2 [LSB = 1/16 dB <> 10-Bits <> “fractional steps”]
 - R2 [LSB = 0.05 dB <> 11-Bits <> “decimal steps”]
 - E3 [LSB = 1/32 dB <> 11-Bits <> “fractional steps”]
 - E4 [LSB = 1/64 dB <> 12-Bits <> “fractional steps”]
- Transfer Functions
 - F3 [Inverse Logic (“00...00” = Max Attenuation)]
- Attenuation <> Limited Range
 - G1 [31.875 dB Range <> LSB = 1/8 dB <> 8-Bits]
 - G2 [25.5 dB Range <> LSB = 0.1 dB <> 8-Bits]



Model: AG-B000-HD

Outline

(Tolerances: $\pm 0.015"$ [0.38mm])



Pin-Out Function	
PIN	Function
1	N/C
2	N/C
3	N/C
4	N/C
5	0.25 dB
6	0.5 dB
7	1.0 dB
8	2.0 dB
9	4.0 dB
10	8.0 dB
11	16.0 dB
12	32.0 dB
13	+VDC
14	N/C
15	GND (Chassis & Digital)

