



**Model: AG-6000-60V**

Description:.....	Voltage Controlled PIN Attenuator
Operating Frequency:.....	0.6 – 6 GHz
Insertion Loss (0dB Attn. Ref.):.....	3.8 dB Max
Attenuation Range:.....	0 - 60 dB Nominal
Attenuation Flatness:.....	0 – 10 dB..... 0.5 dB Peak-Peak Max
.....	>10 – 40 dB..... 0.8 dB Peak-Peak Max
.....	>40 – 60 dB..... 1.0 dB Peak-Peak Max
Control Function:.....	0 – 6V, 10dB/V, (Impedance = 5~10K)
Transfer Function Accuracy:.....	0 – 30 dB..... ±0.5 dB Max
.....	>30 – 60 dB..... ±1.0 dB Max
VSWR (all settings):.....	1.8:1 Max
Settling Time (“±1dB of Target Setting”):.....	3µs Max (10µs<PW<0.1S)
Power Handling:.....	Operating..... +17 dBm CW/Peak Max
.....	Survival..... +30 dBm CW/Avg Max
Temperature Coefficient (Over Operating Range):.....	±0.025 dB/°C
Power Supply (internally regulated):.....	+12 to +15Vdc @ 150 mA
Connectors (RF):.....	SMA (female), Removable
Connector (Supply & Controls):.....	Solder Pins
Impedance:.....	50 Ohms Nominal
Quality:.....	Best-Commercial-Grade

**Environmental Ratings:**

Temperature:.....	{Operating: -40°C to +85°C} & {Storage: -50°C to +100°C}
Humidity:.....	MIL-STD-202F, Method 103B, Cond. B (96 hours at 95% R.H.)
Shock:.....	MIL-STD-202F, Method 213B, Cond. B (75G, 6mSec)
Vibration:.....	MIL-STD-202F, Method 204D, Cond. B (.06” double amplitude, or 15G)
Altitude:.....	MIL-STD-202F, Method 105C, Cond. B (50,000 Feet)
Temp. Shock:.....	MIL-STD-202F, Method 107D, Cond. A (5 cycles)

**Available Options:**

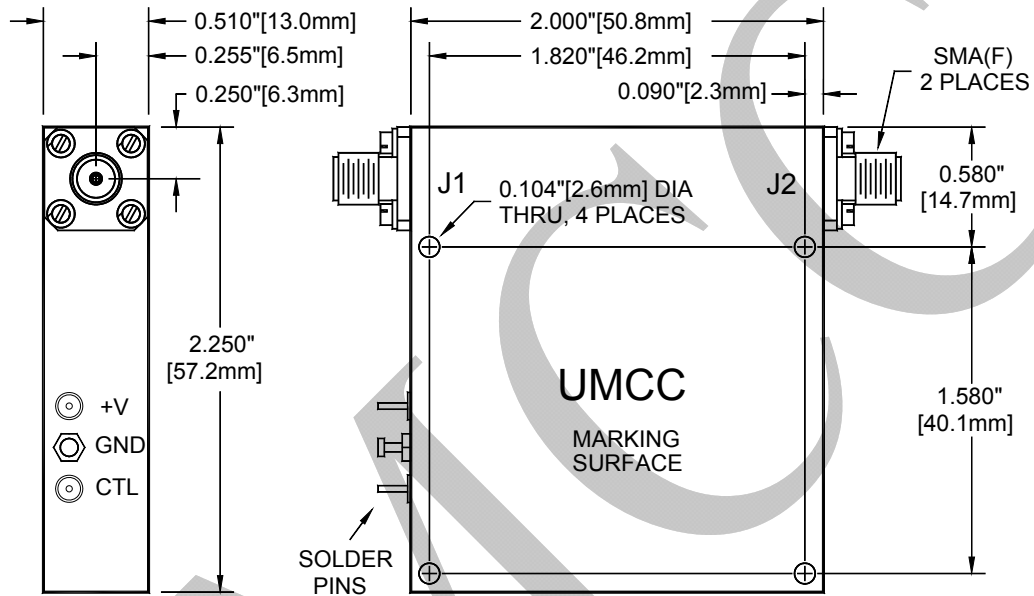
(Units with listed options here may be subject to some specification tradeoffs from the standard, consult factory)

- RF Connectors
  - B1 [ J1 SMA (male) ]
  - B2 [ All SMA (male) ]
- Transfer Functions
  - F1 [ Slope = 5dB/V , 0 – 12V Control ]
  - F3 [ Reverse Control Voltage (0V = Max Attenuation) ]
- Control Connector
  - C1 [ SMC (Jack), 50 Ω ]
  - C2 [ SMB (Jack), 50 Ω ]
  - C3 [ SMA (female) ]



Model: AG-6000-60V

### Outline



Weight	Tolerances
2.7 oz [77 g]	±0.015" [±0.38mm]