



**Model: AG-P000-30V**

Description:..... Voltage Controlled PIN Attenuator  
 Operating Frequency:..... 2 – 20 GHz  
 Insertion Loss (0dB Attn. Ref.):..... 4.0 dB Max  
 Attenuation Range:..... 0 - 30 dB Nominal  
 Attenuation Flatness:

Attenuation (dB):	≤ 10	≤ 20	≤ 30
Flatness(dB): Peak-Peak Max	1.4	2.5	3.7

Control Function: ..... 0 – 3V, 10dB/V, (Impedance = 5~10K)  
 Transfer Function Accuracy:..... 0 – 30 dB..... ±0.5 dB Max  
 VSWR (all settings): ..... 1.9:1 Max  
 Settling Time (“±1dB of Target Setting”):..... 1µs Max (10µs<PW<0.1S)  
 Power Handling: ..... Operating ..... +20 dBm CW/Peak Max  
 ..... Survival ..... +30 dBm CW/Avg Max  
 Temperature Coefficient (Over Operating Range):..... ±0.025 dB/°C  
 Power Supply (internally regulated): ..... +12 to +15Vdc @ 100 mA Max  
 Connectors (RF):..... SMA (female), Removable  
 Connector (Supply & Controls):..... Solder Pins  
 Impedance:..... 50 Ohms Nominal  
 Quality:..... Best-Commercial-Grade

**Environmental Ratings:**

Temperature:..... {Operating: -40°C to +85°C} & {Storage: -50°C to +100°C}  
 Humidity: ..... MIL-STD-202F, Method 103B, Cond. B (96 hours at 95% R.H.)  
 Shock: ..... MIL-STD-202F, Method 213B, Cond. B (75G, 6mSec)  
 Vibration: ..... MIL-STD-202F, Method 204D, Cond. B (.06” double amplitude, or 15G)  
 Altitude: ..... MIL-STD-202F, Method 105C, Cond. B (50,000 Feet)  
 Temp. Shock: ..... MIL-STD-202F, Method 107D, Cond. A (5 cycles)

**Available Options:**

(Units with listed options here may be subject to some specification tradeoffs from the standard, consult factory)

■ RF Connectors

- B1 [ J1 SMA (male) ]
- B2 [ All SMA (male) ]

■ Transfer Functions

- F1 [ Slope = 5dB/V , 0 – 6V Control ]
- F3 [ Reverse Control Voltage (0V = Max Attenuation) ]

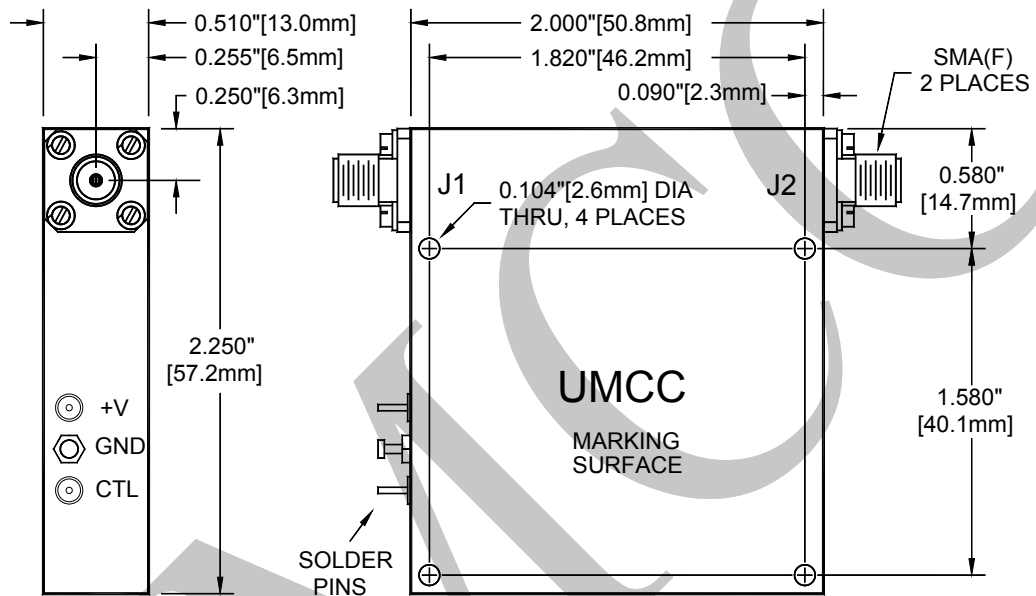
■ Control Connector

- C1 [ SMC (Jack), 50 Ω ]
- C2 [ SMB (Jack), 50 Ω ]
- C3 [ SMA (female) ]



Model: AG-P000-30V

### Outline



Weight	Tolerances
2.7 oz [77 g]	±0.015" [±0.38mm]