



Model: BT-2020-S { BT-2020-SB -&- BT-2020-SS }

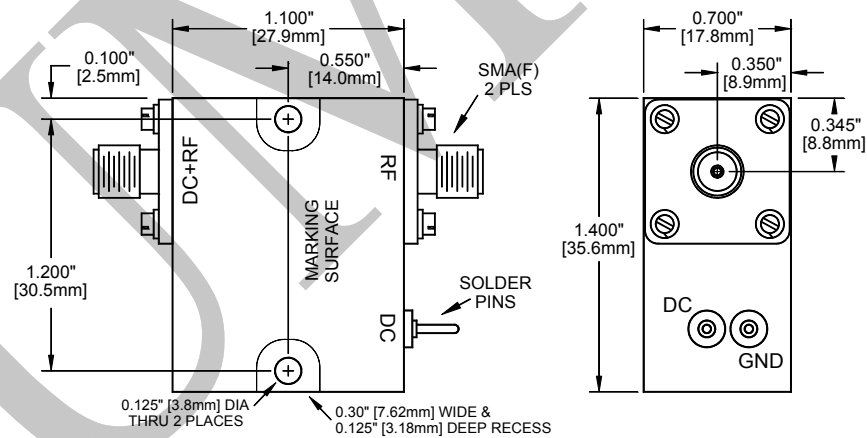
Description:..... Bias Tee
 Operating Frequency (Optimum Band) : 20KHz – 2GHz
{ This product works well over 10KHz to 2.5GHz }
 Insertion Loss: 0.5 dB Max
 Isolation DC to RF: 30 dB Min
 VSWR: 1.35:1 Max
 Bias Voltage:..... 100 Volts Max
 Bias Current (0.5dB Compression Point @ 20KHz)..... 60mA Max
{ 30mA Max with 0.5 dB Compression point @10KHz }
 Bias Frequency Bandwidth..... DC-1 KHz
 RF Power Handling: 10W CW/AVG
 Bias DC Resistance:..... 0.6 Ω Max
 RF Connector: SMA (F)
 RF+DC Connector: SMA (F)
 Bias Connector: Standard Solder-Pin
{ Add suffix "B" for Bias/DC port with BNC(f) Connector <> Model: BT-2020-SB }
{ Add Suffix "S" for Bias/DC port with SMA(f) Connector <> Model: BT-2020-SS }
 Impedance:..... 50 Ω Nominal
 Quality:..... Best-Commercial-Grade

Environmental Ratings:

Temperature:..... {Operating: -55°C to +95°C} & {Storage: -60°C to +110°C}
 Humidity: MIL-STD-202F, Method 103B, Cond. B (96 hours at 95% R.H.)
 Shock: MIL-STD-202F, Method 213B, Cond. B (75G, 6mSec)
 Vibration: MIL-STD-202F, Method 204D, Cond. B (.06" double amplitude, or 15G)
 Altitude: MIL-STD-202F, Method 105C, Cond. B (50,000 Feet)
 Temp. Shock: MIL-STD-202F, Method 107D, Cond. A (5 cycles)

Model: BT-2020-S

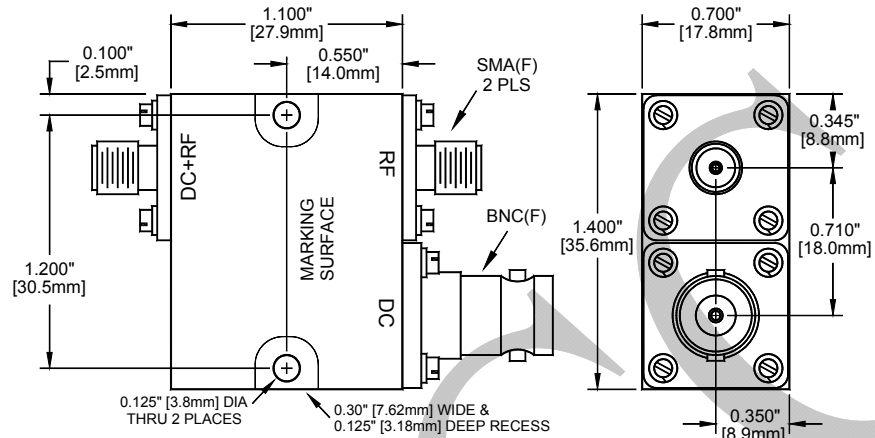
Standard unit with Solder-Pin for Bias/DC port





Model: BT-2020-S { BT-2020-SB -&- BT-2020-SS }

Model: BT-2020-SB
Unit with BNC(f) for Bias/DC port



Model: BT-2020-SS
Unit with SMA(f) for Bias/DC port

