



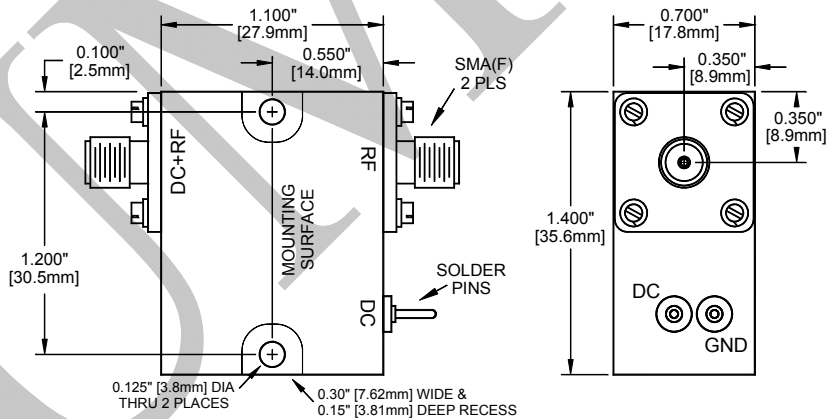
**Model: BT-5010-S { & BT-5010-SB }**

Description:.....	Bias Tee
Operating Frequency:.....	10 KHz – 5 GHz
Insertion Loss:.....	10 KHz – 20 KHz..... 1.3 dB Max
.....	20 KHz – 5 GHz..... 1.0 dB Max
Isolation DC to RF:.....	10 KHz – 20 KHz..... 30 dB Min
.....	20 KHz – 5 GHz..... 40 dB Min
VSWR:.....	10 KHz – 30 KHz..... 1.9:1 Max
.....	30 KHz – 5 GHz..... 1.35:1 Max
Bias Voltage:.....	100 Volts Max
Bias Current:.....	400mA Max
Bias Frequency Bandwidth (3dB Corner Freq.).....	DC-300Hz
RF Power Handling:.....	20W CW/AVG
Bias DC Resistance:.....	4.0 Ohm Max
RF Connector:.....	SMA (F)
RF+DC Connector:.....	SMA (F)
Bias Connector:.....	Standard..... Solder-Pin
	<b>{Add suffix "B" for Bias Connector with BNC(F) &lt;&gt; Model: BT-5010-SB }</b>
Impedance:.....	50 Ohms Nominal
Quality:.....	Best-Commercial-Grade

**Environmental Ratings:**

Temperature:.....	{Operating: -55°C to +95°C} & {Storage: -60°C to +110°C}
Humidity:.....	MIL-STD-202F, Method 103B, Cond. B (96 hours at 95% R.H.)
Shock:.....	MIL-STD-202F, Method 213B, Cond. B (75G, 6mSec)
Vibration:.....	MIL-STD-202F, Method 204D, Cond. B (.06" double amplitude, or 15G)
Altitude:.....	MIL-STD-202F, Method 105C, Cond. B (50,000 Feet)
Temp. Shock:.....	MIL-STD-202F, Method 107D, Cond. A (5 cycles)

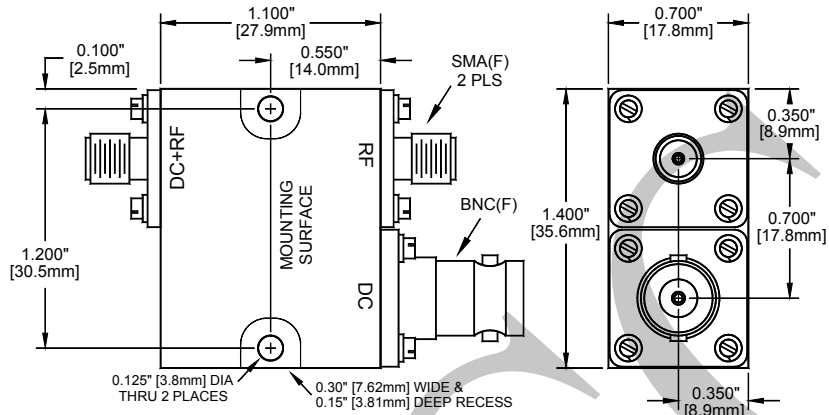
**Model: BT-5010-S ; { DC-Port with Solder Pin }**



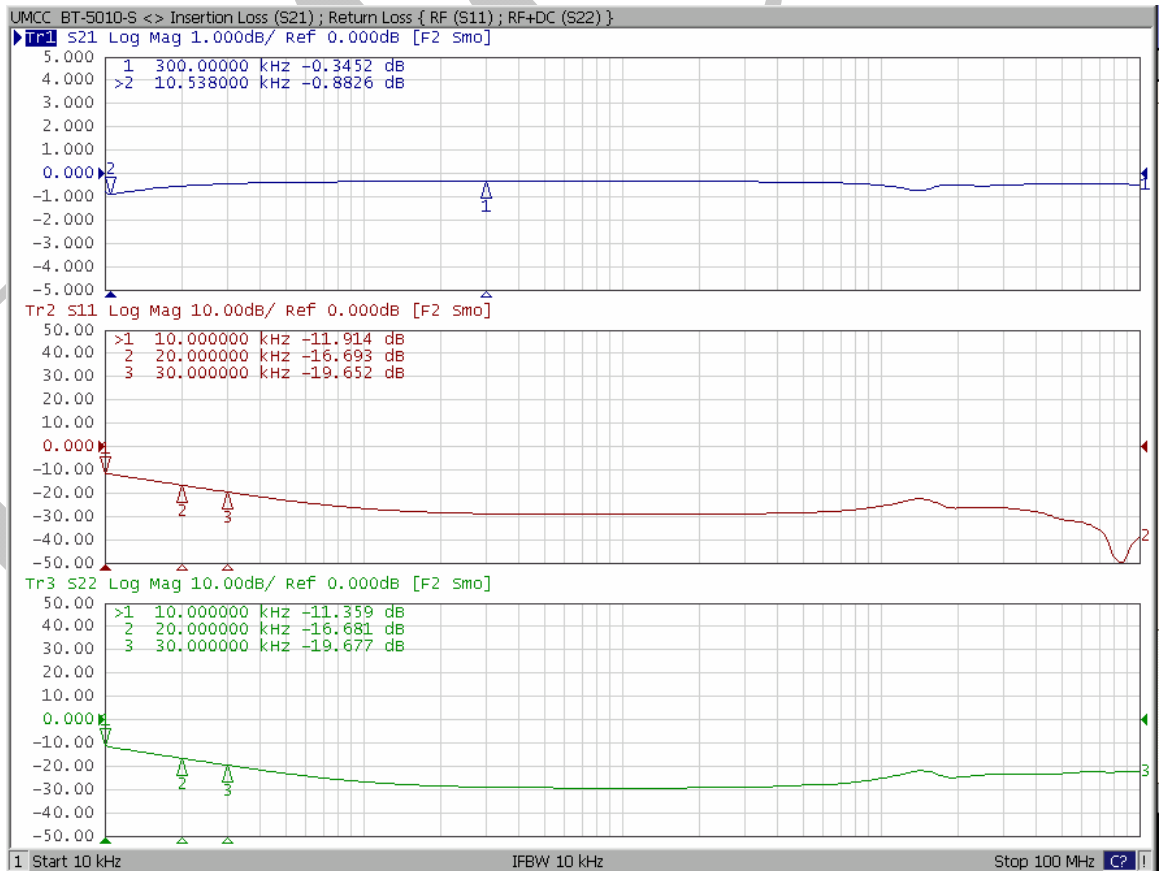


**Model: BT-5010-S { & BT-5010-SB }**

**Model: BT-5010-SB ; { Option "B"; DC-Port with BNC(f) }**



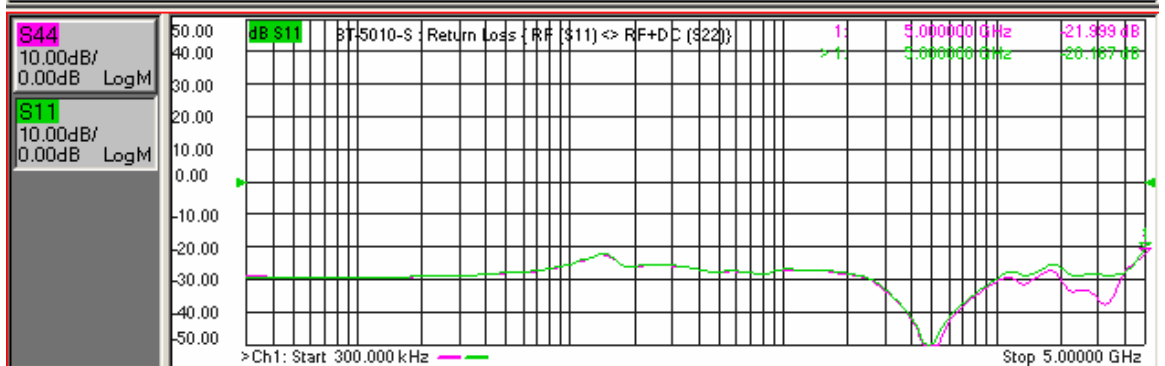
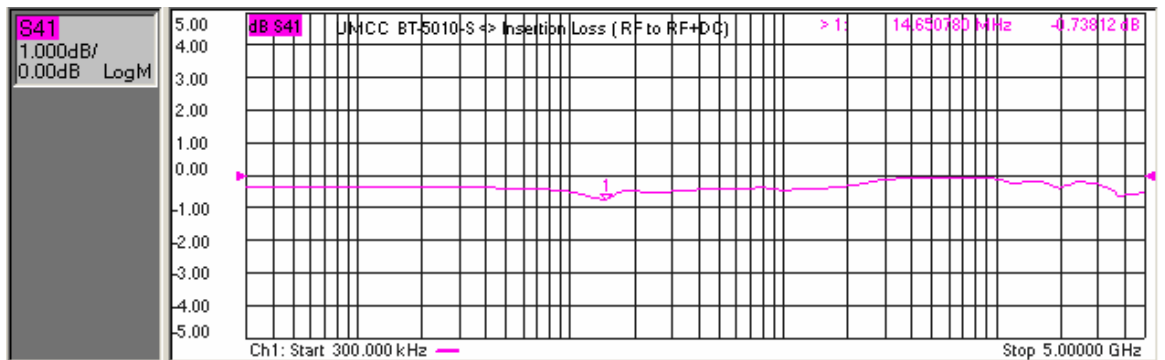
**Insertion Loss  
&  
Return Loss  
10KHz – 100MHz**



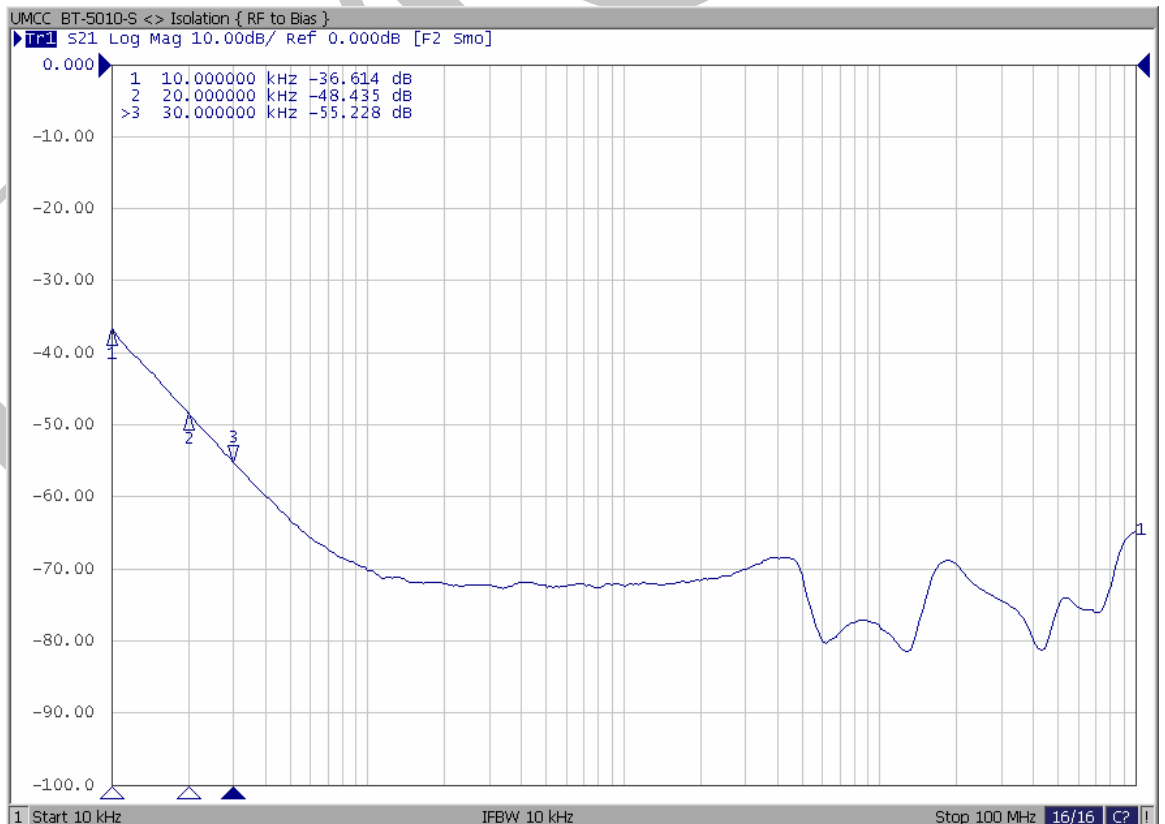


**Model: BT-5010-S { & BT-5010-SB }**

**Insertion Loss  
&  
Return Loss  
300KHz – 5GHz**



**Isolation  
RF+DC to Bias  
10KHz – 100MHz**





**Model: BT-5010-S { & BT-5010-SB }**

**Isolation**

**RF+DC to Bias**

**300KHz – 5GHz**

