



**Model: BT-H007-N { & BT-H007-NB }**

Description:.....	Bias Tee
Operating Frequency:.....	20 KHz – 2.5 GHz
Insertion Loss:.....	1.2 dB Max
Isolation DC to RF:.....	40 dB Min
VSWR:.....	1.4:1 Max ; [1.8:1 over 20-40 KHz]
Bias Voltage:.....	100 Volts Max
Bias Current:.....	1A Max
Bias Frequency Bandwidth (3dB Corner Freq.).....	DC - 300Hz
RF Power Handling:.....	20W CW/AVG
Bias DC Resistance:.....	1.2 Ω Max
RF Connector:.....	N (female)
RF+DC Connector:.....	N (female)
Bias Connector:..... Standard.....	Solder-Pin

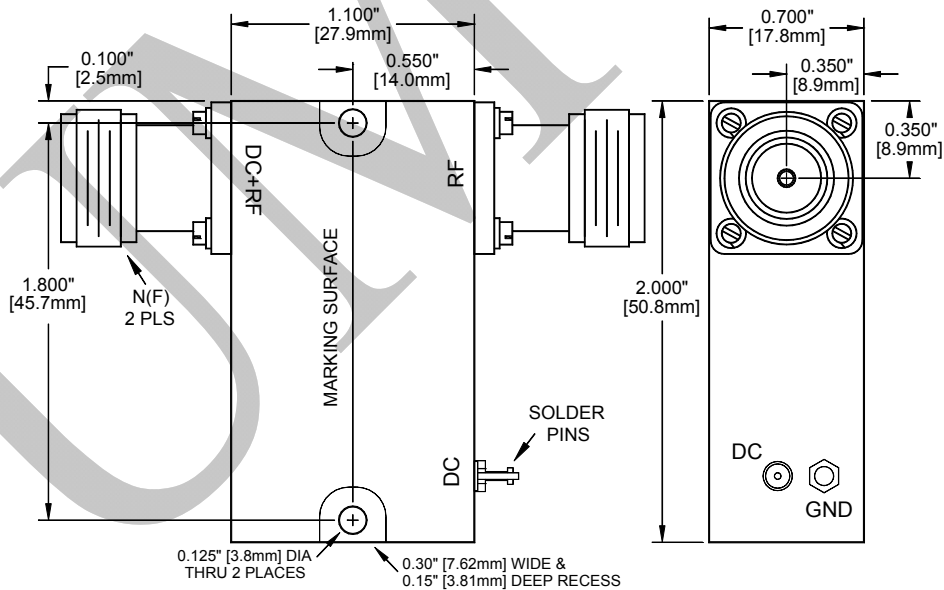
**{Add suffix "B" for Bias Connector with BNC(F) <> Model: BT-H007-NB }**

Impedance:.....	50 Ohms Nominal
Quality:.....	Best-Commercial-Grade

**Environmental Ratings:**

Temperature:.....	{Operating: -55°C to +95°C} & {Storage: -60°C to +110°C}
Humidity:.....	MIL-STD-202F, Method 103B, Cond. B (96 hours at 95% R.H.)
Shock:.....	MIL-STD-202F, Method 213B, Cond. B (75G, 6mSec)
Vibration:.....	MIL-STD-202F, Method 204D, Cond. B (.06" double amplitude, or 15G)
Altitude:.....	MIL-STD-202F, Method 105C, Cond. B (50,000 Feet)
Temp. Shock:.....	MIL-STD-202F, Method 107D, Cond. A (5 cycles)

**Model: BT-H007-N ; { DC-Port with Solder Pin }**





**Model: BT-H007-N { & BT-H007-NB }**

**Model: BT-H007-NB ; { Option "B"; DC-Port with BNC(f) }**

