



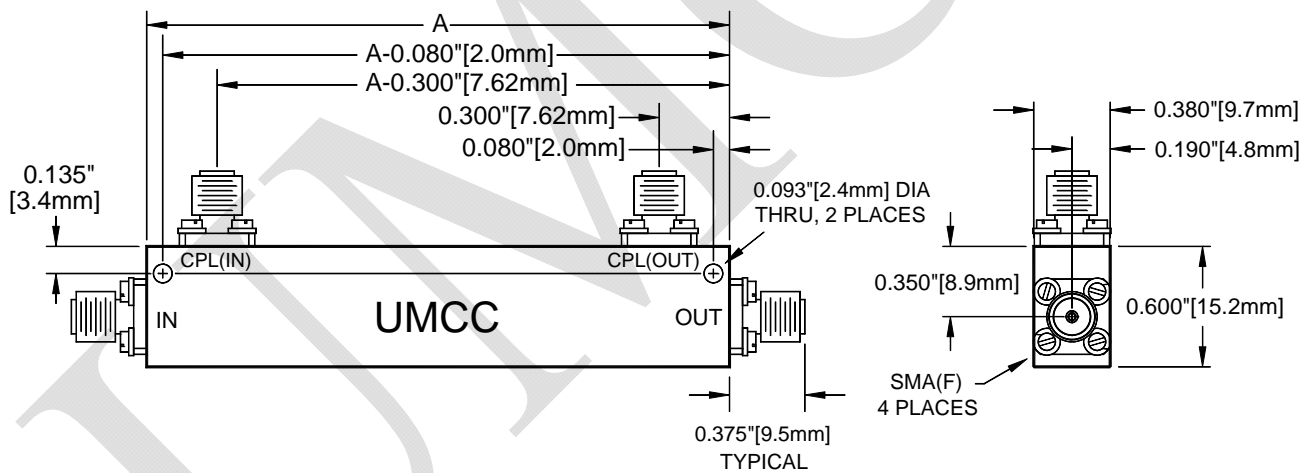
Model: BC-N000-30S

Description:.....	30dB Bi-Directional Coupler
Operating Frequency:.....	6 - 18 GHz
Coupling (reference to input):.....	30 ±1 dB Nominal
Frequency Sensitivity:.....	± 0.75 dB Max
Insertion Loss (including coupled power):.....	1.0 dB Max
Directivity:.....	10 dB Min
VSWR:.....	Line..... 1.55:1 Max
.....	Couple..... 1.55:1 Max
Power Handling:.....	50W AVG/CW <> 1KW Peak
Connectors:.....	SMA (f)
Impedance:.....	50 Ohm
Quality:.....	Best-Commercial-Grade

Environmental Ratings:

Temperature:.....	{Operating: -40°C to +85°C} & {Storage: -50°C to +100°C}
Humidity:.....	MIL-STD-202F, Method 103B, Cond. B (96 hours at 95% R.H.)
Shock:.....	MIL-STD-202F, Method 213B, Cond. B (75G, 6mSec)
Vibration:.....	MIL-STD-202F, Method 204D, Cond. B (.06" double amplitude, or 15G)
Altitude:.....	MIL-STD-202F, Method 105C, Cond. B (50,000 Feet)
Temp. Shock:.....	MIL-STD-202F, Method 107D, Cond. A (5 cycles)

Outline
("A" = 2.800" [71.1mm])



Weight
1.5 oz [42.5 g]