



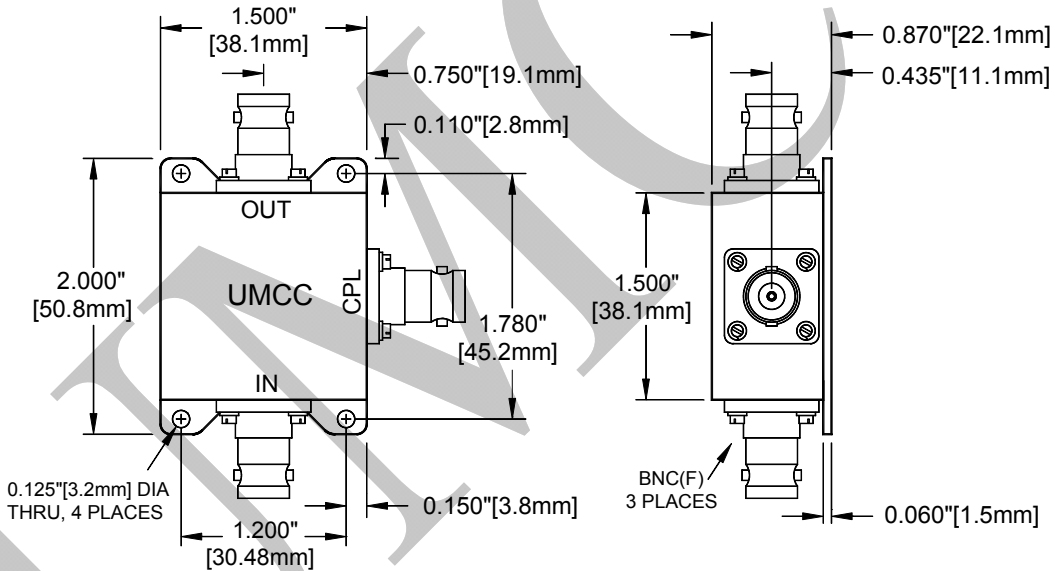
**Model: DC-0030-20B**

Description:..... 20dB Directional Coupler  
 Operating Frequency:..... 10 KHz - 30 MHz  
 Coupling (reference to input):..... 20 ± 1 dB Nominal  
 Coupling Flatness:..... ± 0.5 dB Max  
 Insertion Loss (including coupled power):..... 1.3 dB Max  
 Directivity: ..... 19 dB Min  
 VSWR: ..... 1.35:1 Max  
 Power Handling: ..... 2W CW / Peak  
 Connectors: ..... BNC (f)  
 Impedance: ..... 50 Ohms Nominal  
 Quality:..... Best-Commercial-Grade

**Environmental Ratings:**

Temperature:..... {Operating: -40°C to +85°C} & {Storage: -50°C to +100°C}  
 Humidity: ..... MIL-STD-202F, Method 103B, Cond. B (96 hours at 95% R.H.)  
 Shock: ..... MIL-STD-202F, Method 213B, Cond. B (75G, 6mSec)  
 Vibration: ..... MIL-STD-202F, Method 204D, Cond. B (.06" double amplitude, or 15G)  
 Altitude: ..... MIL-STD-202F, Method 105C, Cond. B (50,000 Feet)  
 Temp. Shock: ..... MIL-STD-202F, Method 107D, Cond. A (5 cycles)

**Outline**



Weight	Tolerances
2.70 oz [ 77 g]	±0.015" [±0.38mm]