



Model: DC-0500-11N

Description: Directional Coupler
 Operating Frequency:..... 1-500 MHz
 Coupling (reference to input):..... 11 ± 1 dB Nominal
 Coupling Flatness: ± 0.5 dB Max
 Insertion Loss (including coupled power):

| | |
|------------|-------------|
| 1-100 MHz | 100-500 MHz |
| 1.4 dB Max | 1.7 dB Max |

VSWR:

| | |
|-----------|------------|
| 1-2 MHz | 2-500 MHz |
| 1.5:1 Max | 1.35:1 Max |

Directivity:

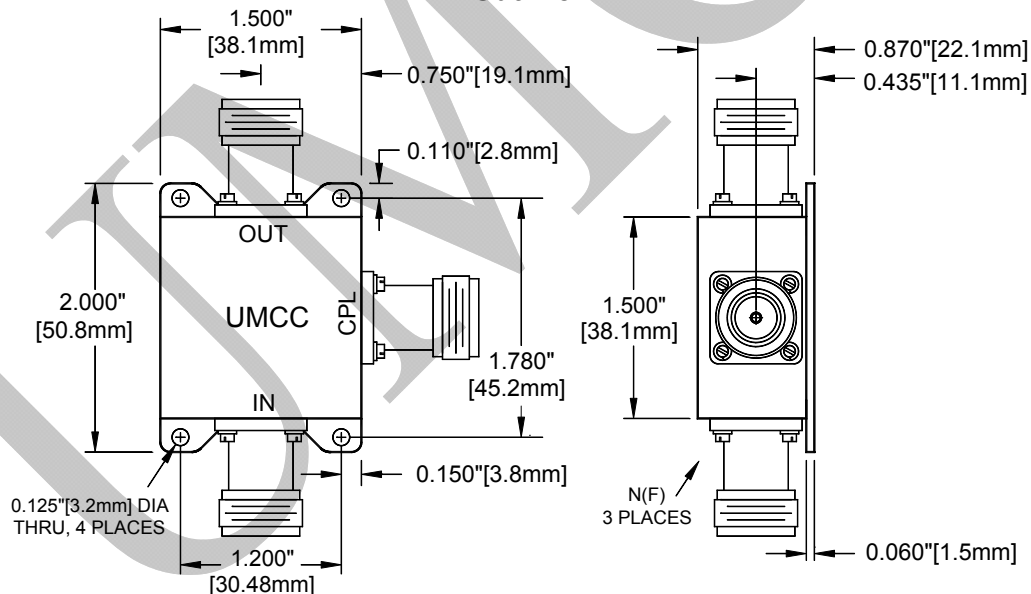
| | |
|-----------|-------------|
| 1-100 MHz | 100-500 MHz |
| 35 dB Min | 25 dB Min |

Power Handling: 1W CW / Peak
 Connectors: N (f)
 Impedance: 50Ω Nominal
 Quality: Best-Commercial-Grade

Environmental Ratings:

Temperature: {Operating: -40°C to +85°C} & {Storage: -50°C to +100°C}
 Humidity: MIL-STD-202F, Method 103B, Cond. B (96 hours at 95% R.H.)
 Shock: MIL-STD-202F, Method 213B, Cond. B (75G, 6mSec)
 Vibration: MIL-STD-202F, Method 204D, Cond. B (.06" double amplitude, or 15G)
 Altitude: MIL-STD-202F, Method 105C, Cond. B (50,000 Feet)
 Temp. Shock: MIL-STD-202F, Method 107D, Cond. A (5 cycles)

Outline



| Weight | Tolerances |
|-----------------|-------------------|
| 3.7 oz [105 g] | ±0.015" [±0.38mm] |