



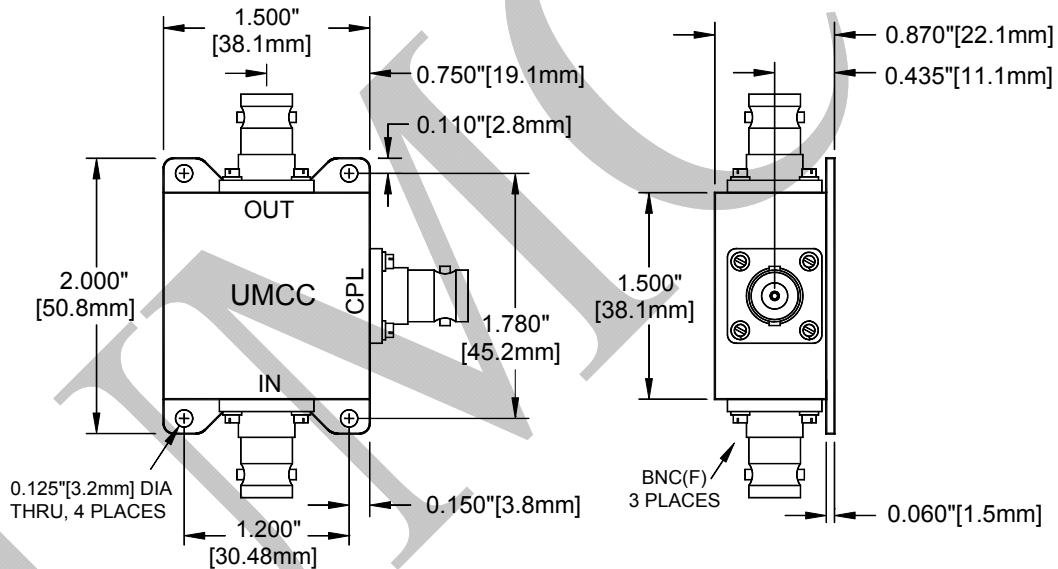
Model: DC-1000-11B

Description:.....	Directional Coupler
Operating Frequency:.....	10-1000 MHz
Coupling (reference to input):.....	11 ± 1 dB Nominal
Coupling Flatness:.....	± 0.8 dB Max
Insertion Loss (including coupled power):.....	1.7dB Max
VSWR:.....	1.5:1 Max
Directivity:.....	18dB Min
Power Handling:.....	1W CW / Peak
Connectors:.....	BNC (f)
Impedance:.....	50 Ohms Nominal
Quality:.....	Best-Commercial-Grade

Environmental Ratings:

Temperature:.....	{Operating: -40°C to +85°C} & {Storage: -50°C to +100°C}
Humidity:.....	MIL-STD-202F, Method 103B, Cond. B (96 hours at 95% R.H.)
Shock:.....	MIL-STD-202F, Method 213B, Cond. B (75G, 6mSec)
Vibration:.....	MIL-STD-202F, Method 204D, Cond. B (.06" double amplitude, or 15G)
Altitude:.....	MIL-STD-202F, Method 105C, Cond. B (50,000 Feet)
Temp. Shock:.....	MIL-STD-202F, Method 107D, Cond. A (5 cycles)

Outline



Weight	Tolerances
2.70 oz [77 g]	±0.015" [±0.38mm]