



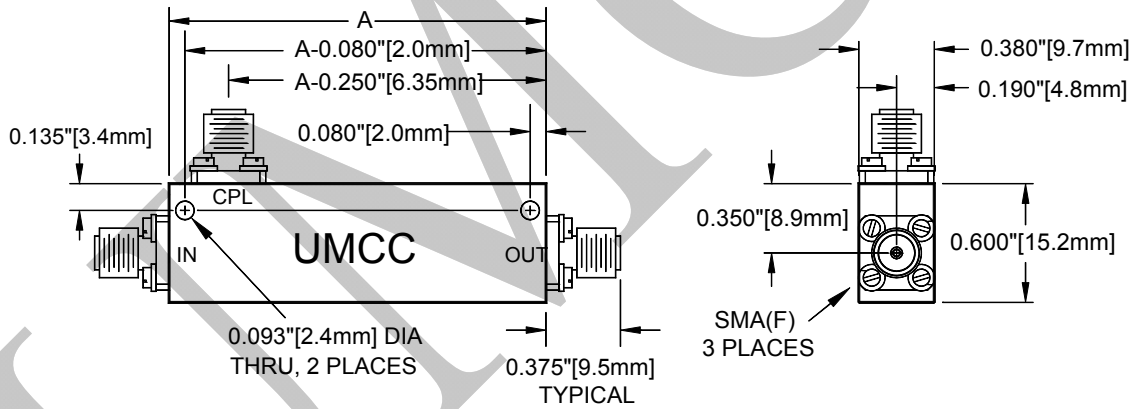
Model: DC-G000-16S

Description: Directional Coupler
 Operating Frequency: 12.4 – 18 GHz
 Coupling (reference to input): 16 ± 1 dB Nominal
 Coupling Flatness: ± 0.7 dB Max
 Insertion Loss (including coupled power): 0.8 dB Max
 Directivity: 12 dB Min
 VSWR: Line 1.45:1 Max
 Couple 1.55:1 Max
 Power Handling: Incident @ Input 30W Cw/Avg Max
 Incident @ Output 15W Cw/Avg Max
 Connectors: SMA (f)
 Impedance: 50 Ω Nominal
 Quality: Best-Commercial-Grade

Environmental Ratings:

Temperature: {Operating: -40°C to +85°C} & {Storage: -50°C to +100°C}
 Humidity: MIL-STD-202F, Method 103B, Cond. B (96 hours at 95% R.H.)
 Shock: MIL-STD-202F, Method 213B, Cond. B (75G, 6mSec)
 Vibration: MIL-STD-202F, Method 204D, Cond. B (.06" double amplitude, or 15G)
 Altitude: MIL-STD-202F, Method 105C, Cond. B (50,000 Feet)
 Temp. Shock: MIL-STD-202F, Method 107D, Cond. A (5 cycles)

Outline
 ("A" = 1.250" [31.8 mm])



Weight	Tolerances
0.75 oz [21.3g]	± 0.015" [± 0.38 mm]