



Model: PS-1000-6N

Description:..... 6-Way Power Divider
 Operating Frequency:..... 30–800 MHz
 Insertion Loss / Amplitude Balance / Phase Balance:

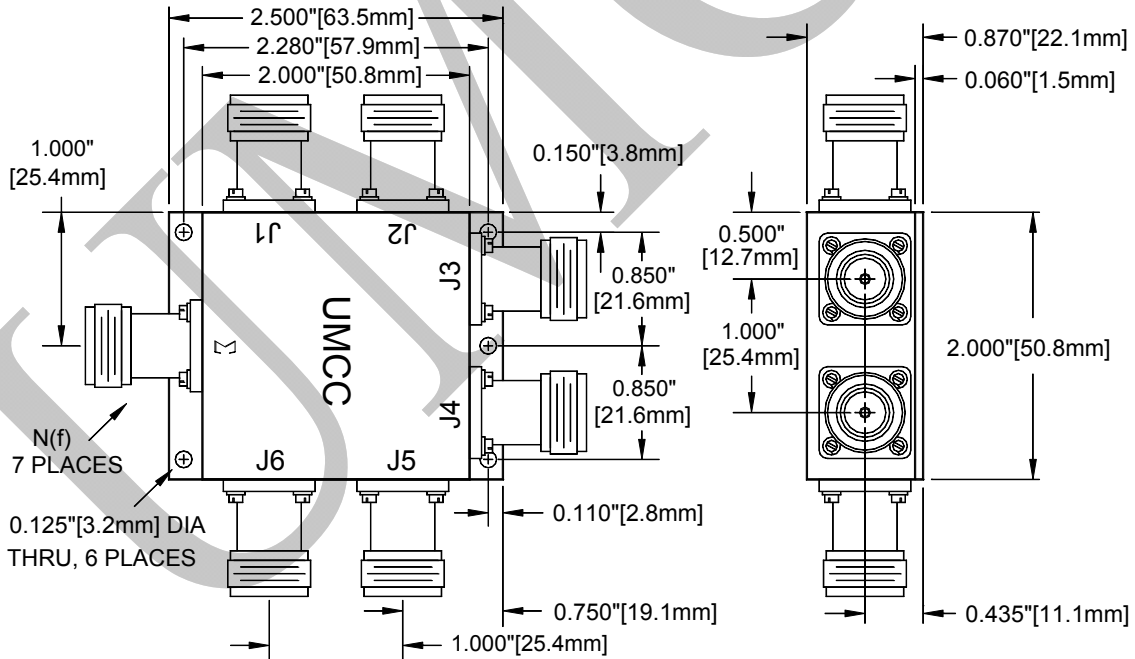
Frequency	Insertion Loss	Ampl. Bal	Phase Bal.
30 - 500 MHz	1.3dB Max	±0.2dB Max	±3°Max
500 - 800 MHz	1.5dB Max	±0.5 dB Max	±4°Max

Isolation: 25 dB Min
 VSWR: Σ Port 1.6:1 Max
 Output Ports 1.5:1 Max
 Power Handling (@ SUM-Port): Load VSWR=∞ 2W AVG/CW Max
 Load VSWR <2:1 8W AVG/CW Max
 Connectors: N (f)
 Impedance: 50 Ohms Nominal
 Quality: Best-Commercial-Grade

Environmental Ratings:

Temperature:..... {Operating: -55°C to +95°C} & {Storage: -60°C to +110°C}
 Humidity: MIL-STD-202F, Method 103B, Cond. B (96 hours at 95% R.H.)
 Shock: MIL-STD-202F, Method 213B, Cond. B (75G, 6mSec)
 Vibration: MIL-STD-202F, Method 204D, Cond. B (.06" double amplitude, or 15G)
 Altitude: MIL-STD-202F, Method 105C, Cond. B (50,000 Feet)
 Temp. Shock: MIL-STD-202F, Method 107D, Cond. A (5 cycles)

Outline



Weight	Tolerances
	± 0.015" [± 0.38 mm]