



Model: SR-145H-2S

Description:.....	SP2T, Reflective, High Power Pin-Switch
Operating Frequency:.....	1.2 – 1.7 GHz
Insertion Loss:	0.6 dB Max
Isolation (Arm-to-Arm):	70 dB Min
VSWR (“ON” Paths):	1.3:1 Max
Rise/Fall time (10% to 90% RF, 90% to 10% RF): ...	500 ns Max
On/Off time (50% TTL to 90% RF, 50%TTL to 10% RF):.....	750 ns Max
Power Handling (Matched loads/All Ports):.....	CW/AVG:..... 40W Max / Hot Switching
.....	Peak 250W Peak, 1µs PW Max
Control Input Characteristics:	Std. TTL / Unit-Load / Floating-High
Control Logic (Single-Control):	Logic “0”..... J0-J1 Path “ON”
.....	Logic “1”..... J0-J2 Path “ON”
Power Supplies:.....	+5(±0.25) V @ 125mA Max
.....	-15(±0.5) V @ 125mA Max
Connectors (RF):.....	SMA (F), Removable
Connectors (Supplies & Controls).....	Solder Pins
Impedance:.....	50 Ohms Nominal
Quality:.....	Best-Commercial-Grade

Environmental Ratings:

Temperature:.....	{Operating: -55°C to +95°C} & {Storage: -60°C to +110°C}
Humidity:	MIL-STD-202F, Method 103B, Cond. B (96 hours at 95% R.H.)
Shock:	MIL-STD-202F, Method 213B, Cond. B (75G, 6mSec)
Vibration:	MIL-STD-202F, Method 204D, Cond. B (.06" double amplitude, or 15G)
Altitude:	MIL-STD-202F, Method 105C, Cond. B (50,000 Feet)
Temp. Shock:	MIL-STD-202F, Method 107D, Cond. A (5 cycles)

Available Options:

(Units with listed options here may be subject to some specification tradeoffs from the standard, consult factory)

■ **RF Connectors**

- B1 [J1 & J2 Ports with SMA(M)]
- B2 [All Ports with SMA(M)]
- B3 [COM (J0) Port with SMA(M)]

■ **Control Impedance**

- D1 [50 Ω, Internally Terminated]

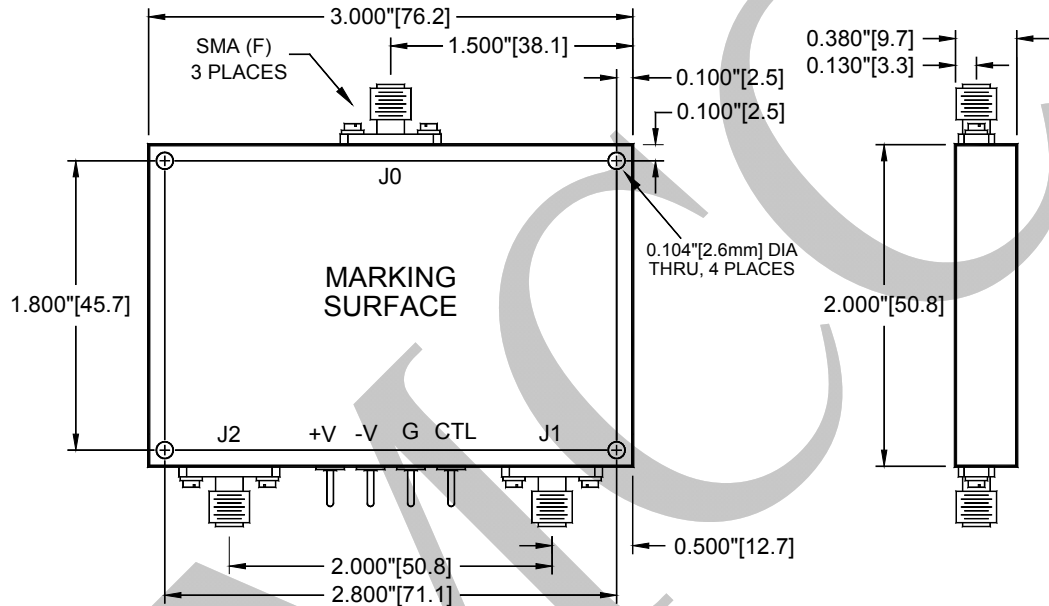
■ **Control Function**

- F1 [Inverse Logic, (“1” = For “J1” Port “ON”)]



Model: SR-145H-2S

Outline



Weight	Tolerances
	±0.015" [±0.38mm]