



Model: SR-J440-2S

Description: SP2T, Reflective, PIN-Switch
Operating Frequency: 0.4 - 14 GHz
Insertion Loss: 2.4 dB Max
Isolation (Arm-to-Arm):

Table with 2 columns: 0.4 - 12.4 GHz, 12.4 - 14 GHz. Row 1: 55 dB Min, 50 dB Min.

VSWR (Path "ON"): 1.6:1 Max
Rise/Fall time (10% to 90% RF, 90% to 10% RF): 25 ns Max
On/Off time (50% TTL to 90% RF, 50%TTL to 10% RF): 60 ns Max
Phase Balance (Deviation from Median): ±5° max
Operating Power: CW&AVG: +27dBm Max, Peak: 5W @ 1µS PW & 10% Duty-Cycle Max
Control Input Characteristics: Std. TTL / Unit-Load / Floating-High
Control Logic: 2-Controls, Logic "0" = RF Path "ON"
Power Supplies: +5(±0.25)V @ 50mA Max, -12(±0.5)V @ 50mA Max
Connectors (RF): SMA (f), Removable
Connectors (Supplies/Control): Solder Pins
Impedance: 50 Ω Nominal
Quality: Best-Commercial-Grade

Environmental Ratings:

Temperature: {Operating: -55°C to +95°C} & {Storage: -60°C to +110°C}
Humidity: MIL-STD-202F, Method 103B, Cond. B (96 hours at 95% R.H.)
Shock: MIL-STD-202F, Method 213B, Cond. B (75G, 6mSec)
Vibration: MIL-STD-202F, Method 204D, Cond. B (.06" double amplitude, or 15G)
Altitude: MIL-STD-202F, Method 105C, Cond. B (50,000 Feet)
Temp. Shock: MIL-STD-202F, Method 107D, Cond. A (5 cycles)

Available Options:

(Units with listed options here may be subject to some specification tradeoffs from the standard, consult factory)

Supply Voltages

- A1 [ +5(±0.25)V / -5(±0.25)V ]
A2 [ +5(±0.25)V / -15(±0.5)V ]

Control Function

- F1 [ Inverse Logic, ("1" = Path "ON") ]
F2 [ Single Toggle Control ("1" for J1 path "ON") ]

RF Connectors

- B1 [ J1 & J2 Ports with SMA(M) ]
B2 [ All SMA (M) ]
B3 [ COM Port with SMA(M) ]

Video Suppression Filter

- G1 [ VF @ COM Port <> 0.25 dB additional Loss ]
G2 [ VF @ J1 & J2 Ports <> 0.25 dB additional Loss ]
G3 [ VF @ All Ports <> 0.5 dB additional Loss ]

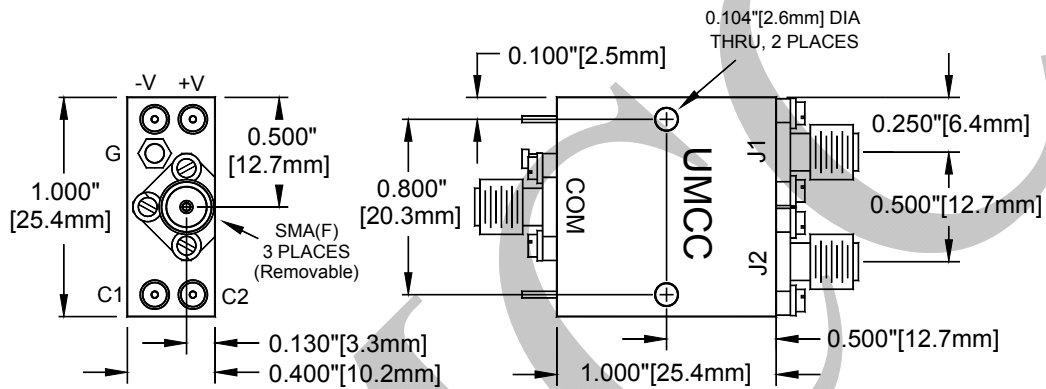
Control Impedance

- D1 [ 50 Ω, Internally Terminated ]



Model: SR-J440-2S

**Outline**



Weight	Tolerances
0.7 oz [19.8 g]	±0.015" [±0.38mm]