



Model: SR-V01W-2S

Description: SP2T, Absorptive, PIN-Switch
Operating Frequency: 0.1 - 18 GHz
Insertion Loss: 2.8 dB Max
Isolation:

Table with 2 columns: 0.1 - 12 GHz, 12 - 18 GHz. Row 1: 80 dB Min, 70 dB Min.

VSWR (RF Path "ON" or "OFF"): 1.8:1 Max
Rise/Fall time (10% to 90% RF, 90% to 10% RF): 150 ns Max
On/Off time (50% TTL to 90% RF, 50%TTL to 10% RF): 250 ns Max
Phase Balance (Deviation from Median): ±3° max
Operating Power: CW & AVG: +27dBm Max
Peak: (+24dBm Max into "JX" Port @ Off-State) 5W @ 1µs PW & 10% Duty-Cycle Max
Control Input Characteristics: TTL / Unit-Load / Floating-High
Control Logic: 2-Controls, Logic "0" = RF Path "ON"
Power Supplies: +5(±0.25)V @ 75mA Max
-12(±0.5)V @ 50mA Max
Connectors (RF): SMA (f), Removable
Connectors (Supplies/Control): Solder Pins
Impedance: 50 Ohms Nominal
Quality: Best-Commercial-Grade

Environmental Ratings:

Temperature: {Operating: -55°C to +95°C} & {Storage: -60°C to +110°C}
Humidity: MIL-STD-202F, Method 103B, Cond. B (96 hours at 95% R.H.)
Shock: MIL-STD-202F, Method 213B, Cond. B (75G, 6mSec)
Vibration: MIL-STD-202F, Method 204D, Cond. B (.06" double amplitude, or 15G)
Altitude: MIL-STD-202F, Method 105C, Cond. B (50,000 Feet)
Temp. Shock: MIL-STD-202F, Method 107D, Cond. A (5 cycles)

Available Options:

(Units with listed options here may be subject to some specification tradeoffs from the standard, consult factory)

Supply Voltages

- A2 [+5(±0.25)V / -15(±0.5)V]
A3 [+12(±0.5)V / -12(±0.5)V]
A4 [+15(±0.5)V / -15(±0.5)V]

Control Impedance

- D1 [50 Ω, Internally Terminated]

RF Connectors

- B1 [J1 & J2 Ports with SMA(M)]
B2 [All SMA (M)]
B3 [COM Port with SMA(M)]

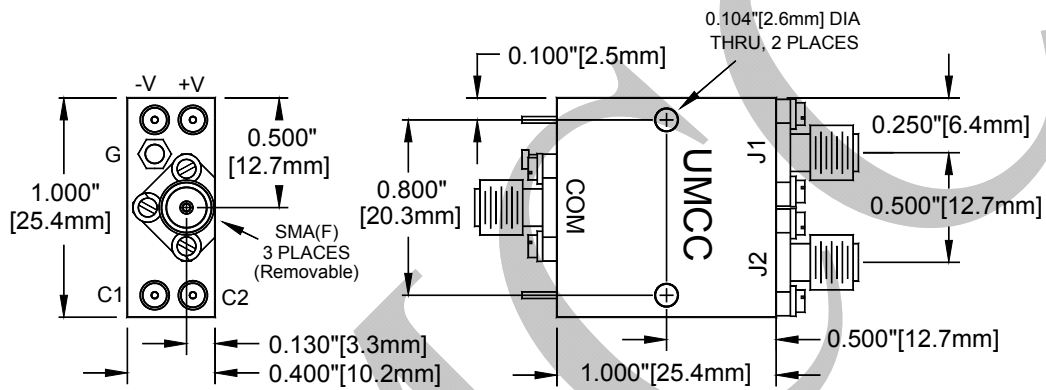
Control Function

- F1 [Inverse Logic, ("1" = Path "ON")]
F2 [Single Toggle Control ("1" for J1 path "ON")]



Model: SR-V01W-2S

Outline



Weight	Tolerances
0.7 oz [19.8 g]	±0.015" [±0.38mm]