



Model: SR-J410-3S

Description: SP3T, Absorptive, PIN-Switch
Operating Frequency: 0.4 - 14 GHz
Insertion Loss: 2.4 dB Max
Isolation (Arm-to-Arm):

Table with 2 columns: 0.4 - 12.4 GHz, 12.4 - 14 GHz. Row 1: 60 dB Min, 55 dB Min.

VSWR (RF Path "ON" or "OFF"): 1.6:1 Max
Rise/Fall time (10% to 90% RF, 90% to 10% RF): 25 ns Max
On/Off time (50% TTL to 90% RF, 50%TTL to 10% RF): 60 ns Max
Operating Power: CW & AVG: +27dBm Max*
Peak: (+24dBm Max into "JX" Port @ Off-State) 5W @ 1µs PW & 10% Duty-Cycle Max
Control Input Characteristics: Std. TTL / Unit-Load / Floating-High
Control Logic: 3-Controls, Logic "0" = RF Path "ON"
Power Supplies: +5(±0.25)V @ 110mA Max
-12(±0.5)V @ 60mA Max
Connectors (RF): SMA (f), Removable
Connectors (Supplies/Controls): Solder Pins
Impedance: 50 Ω Nominal
Quality: Best-Commercial-Grade

Environmental Ratings:

Temperature: {Operating: -55°C to +95°C} & {Storage: -60°C to +110°C}
Humidity: MIL-STD-202F, Method 103B, Cond. B (96 hours at 95% R.H.)
Shock: MIL-STD-202F, Method 213B, Cond. B (75G, 6mSec)
Vibration: MIL-STD-202F, Method 204D, Cond. B (.06" double amplitude, or 15G)
Altitude: MIL-STD-202F, Method 105C, Cond. B (50,000 Feet)
Temp. Shock: MIL-STD-202F, Method 107D, Cond. A (5 cycles)

Available Options:

(Units with listed options here may be subject to some specification tradeoffs from the standard, consult factory)

Supply Voltages

- A1 [+5(±0.25)V / -5(±0.25)V] *
A2 [+5(±0.25)V / -15(±0.5)V]
A3 [+12(±0.5)V / -12(±0.5)V]
A4 [+15(±0.5)V / -15(±0.5)V]

RF Connectors

- B1 [J1 - J3 Ports with SMA(M)]
B2 [All SMA (M)]
B3 [COM Port with SMA(M)]

Control Function

- F1 [Inverse Logic, ("1" = Path "ON")]
F2 [2-Bit Binary Control] ; see below for "Outline Drawing" and "Function Table"

Video Suppression Filter

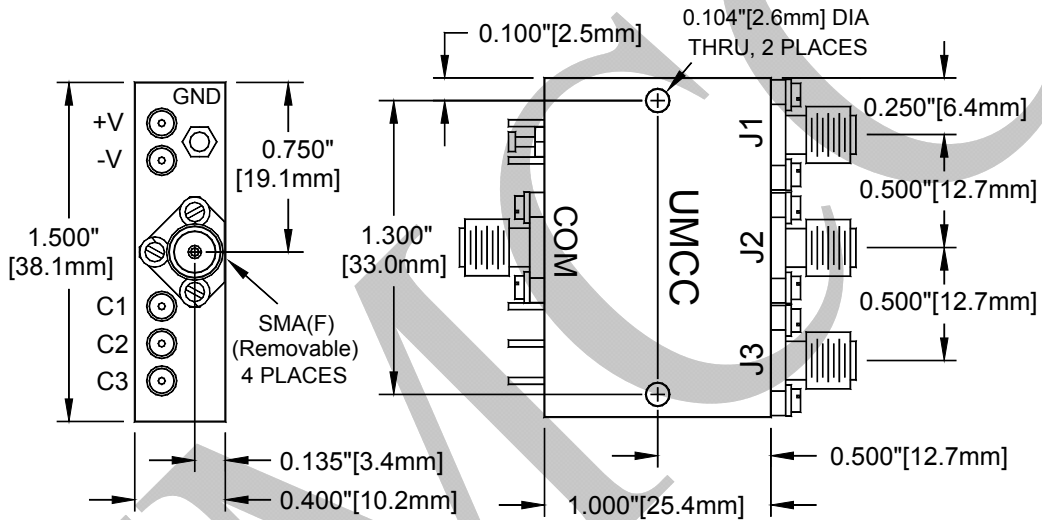
- G1 [VF @ COM Port <> 0.25 dB additional Loss]
G2 [VF @ J1 - J3 Ports <> 0.25 dB additional Loss]
G3 [VF @ All Ports <> 0.5 dB additional Loss]

* Recommended for Low Power Consumption <> Additional Switching Delay (ON/OFF time)



Model: SR-J410-3S

Outline

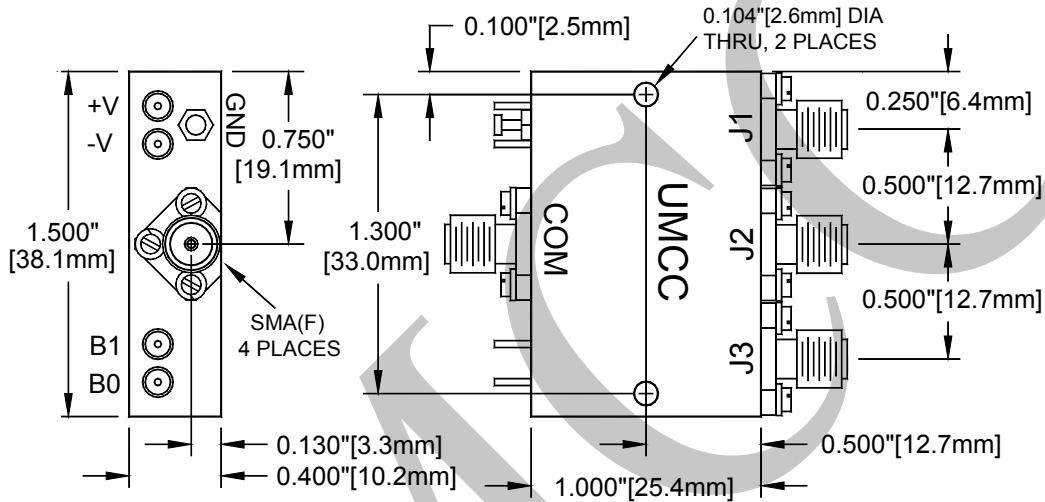


| Weight | Tolerances |
|----------------|-------------------|
| 1.0 oz [28.3g] | ±0.015" [±0.38mm] |



Model: SR-J410-3S

Outline Drawing (SP3T with Option "F2")



| Weight | Tolerances |
|----------------|-------------------|
| 1.0 oz [28.3g] | ±0.015" [±0.38mm] |

Function Table for Option "F2" (2-Bit Binary Control)

| INPUTS | | RF PATH | | |
|--------|----|---------|-----|-----|
| B1 | B0 | J1 | J2 | J3 |
| 0 | 0 | ON | OFF | OFF |
| 0 | 1 | OFF | ON | OFF |
| 1 | 0 | OFF | OFF | ON |
| 1 | 1 | OFF | OFF | OFF |