



Model: SW-U200-5S

Description: SP5T, Reflective, PIN-Switch
Operating Frequency: 0.5 – 18 GHz
Insertion Loss: 2.7 dB Max
Isolation:

Table with 2 columns: 0.5 – 10 GHz, 10 – 18 GHz. Row 1: 60 dB Min, 50 dB Min.

VSWR (“ON” paths): 1.8:1 Max
Rise/Fall time (10% to 90% RF, 90% to 10% RF): 20 ns Max
On/Off time (50% TTL to 90% RF, 50%TTL to 10% RF): 60 ns Max
Phase Balance (Deviation from Median): ±5° max
Operating Power: CW&AVG: +30dBm Max
Peak: 10W @ 1µS PW & 10% Duty-Cycle Max
Control Input Characteristics: Std. TTL / Unit-Load / Floating-High
Control Logic: 5-Controls, Logic “0” = RF Path “ON”
Power Supplies: +5(±0.25)V @ 130mA Max
-12(±0.5)V @ 80mA Max
Connectors (RF): SMA (f), Removable
Connectors (Supplies/Controls): Solder Pins
Impedance: 50 Ohms Nominal
Quality: Best-Commercial-Grade

Environmental Ratings:

Temperature: {Operating: -55°C to +95°C} & {Storage: -60°C to +110°C}
Humidity: MIL-STD-202F, Method 103B, Cond. B (96 hours at 95% R.H.)
Shock: MIL-STD-202F, Method 213B, Cond. B (75G, 6mSec)
Vibration: MIL-STD-202F, Method 204D, Cond. B (.06” double amplitude, or 15G)
Altitude: MIL-STD-202F, Method 105C, Cond. B (50,000 Feet)
Temp. Shock: MIL-STD-202F, Method 107D, Cond. A (5 cycles)

Available Options:

(Units with listed options here may be subject to some specification tradeoffs from the standard, consult factory)

Supply Voltages

- A1 [ +5(±0.25)V / -5(±0.25)V ]
A2 [ +5(±0.25)V / -15(±0.5)V ]
A3 [ +12(±0.5)V / -12(±0.5)V ]
A4 [ +15(±0.5)V / -15(±0.5)V ]

RF Connectors

- B1 [ J1 – J5 Ports with SMA(M) ]
B2 [ All SMA (M) ]
B3 [ COM Port with SMA(M) ]

Control Function

- F1 [ Inverse Logic, (“1” = Path “ON”) ]
F2 [ 3-Bit Binary Controls + Enable ] ; see below for “Outline Drawing” and “Function Table”

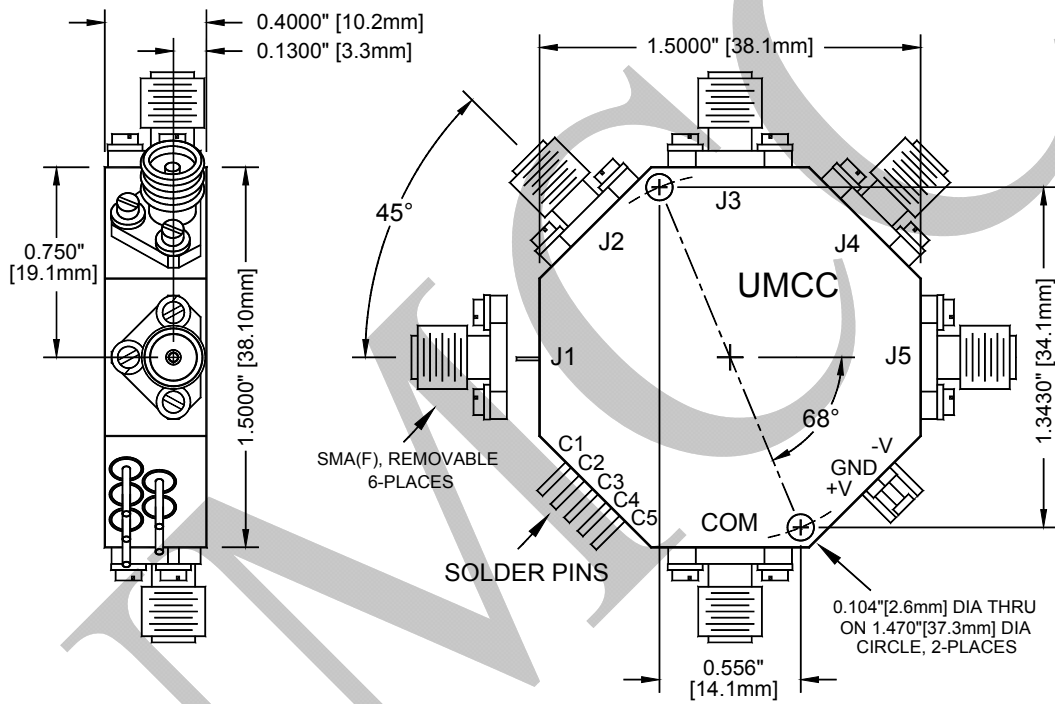
Video Suppression Filter

- G1 [ VF @ COM Port <> 0.25 dB additional Loss ]
G2 [ VF @ J1 – J5 Ports <> 0.25 dB additional Loss ]
G3 [ VF @ All Ports <> 0.5 dB additional Loss ]



Model: SW-U200-5S

**Outline**

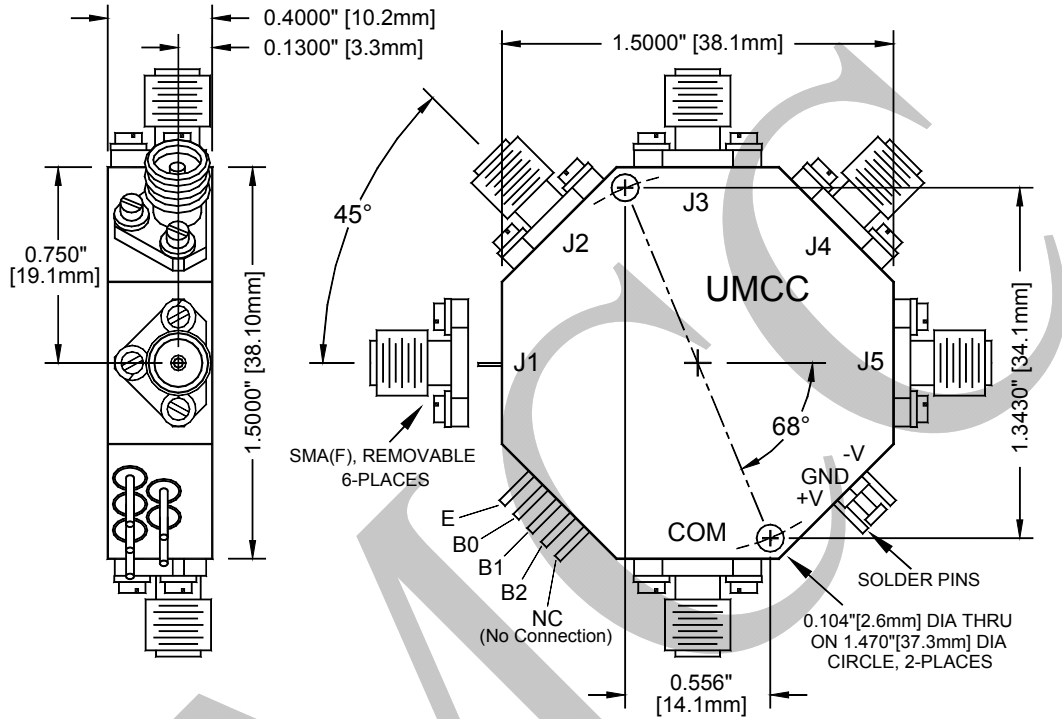


Weight	Tolerances
1.3 oz [36.9g]	±0.015" [±0.38mm]



Model: SW-U200-5S

**Outline Drawing (SP5T Radial with Option "F2")**



Weight	Tolerances
1.3 oz [36.9g]	±0.015" [±0.38mm]

**Function Table for Option "F2" (3-Bit Binary Control + Enable)**

INPUTS				RF PATH				
E	B2	B1	B0	J1	J2	J3	J4	J5
1	0	0	0	ON	OFF	OFF	OFF	OFF
1	0	0	1	OFF	ON	OFF	OFF	OFF
1	0	1	0	OFF	OFF	ON	OFF	OFF
1	0	1	1	OFF	OFF	OFF	ON	OFF
1	1	0	0	OFF	OFF	OFF	OFF	ON
0	X	X	X	OFF	OFF	OFF	OFF	OFF