



**Model: SW-DA3W-7S**

Description:.....	SP7T, Reflective, PIN-Switch
Operating Frequency:.....	0.2 – 4 GHz
Insertion Loss:.....	2.0 dB Max
Isolation:.....	70 dB Min
VSWR (“ON” paths):.....	1.5:1 Max
Rise/Fall time (10% to 90% RF, 90% to 10% RF): ...	350 ns Max
On/Off time (50% TTL to 90% RF, 50%TTL to 10% RF):.....	400 ns Max
Phase Balance (Deviation from Median):.....	±2° max
Operating Power:.....	CW&AVG..... +27dBm Max
.....	Peak:..... 5W @ 1µS PW & 10% Duty-Cycle Max
Control Input Characteristics:.....	Std. TTL / Unit-Load / Floating-High
Control Logic:.....	7-Controls, Logic “0” = RF Path “ON”
Power Supplies:.....	+5(±0.25)V @ 100mA Max
.....	-12(±0.5)V @ 90mA Max
Connectors (RF):.....	SMA (f), Removable
Connectors (Supplies/Controls).....	Solder Pins
Impedance:.....	50 Ohms Nominal
Quality:.....	Best-Commercial-Grade

**Environmental Ratings:**

Temperature:.....	{Operating: -55°C to +95°C} & {Storage: -60°C to +110°C}
Humidity:.....	MIL-STD-202F, Method 103B, Cond. B (96 hours at 95% R.H.)
Shock:.....	MIL-STD-202F, Method 213B, Cond. B (75G, 6mSec)
Vibration:.....	MIL-STD-202F, Method 204D, Cond. B (.06” double amplitude, or 15G)
Altitude:.....	MIL-STD-202F, Method 105C, Cond. B (50,000 Feet)
Temp. Shock:.....	MIL-STD-202F, Method 107D, Cond. A (5 cycles)

**Available Options:**

(Units with listed options here may be subject to some specification tradeoffs from the standard, consult factory)

■ **Supply Voltages**

- A1 [ +5(±0.25)V / -5(±0.25)V ] \*
- A2 [ +5(±0.25)V / -15(±0.5)V ]
- A3 [ +12(±0.5)V / -12(±0.5)V ]
- A4 [ +15(±0.5)V / -15(±0.5)V ]

■ **RF Connectors**

- B1 [ J1 – J7 Ports with SMA(M) ]
- B2 [ All SMA (M) ]
- B3 [ COM Port with SMA(M) ]

■ **Control Function**

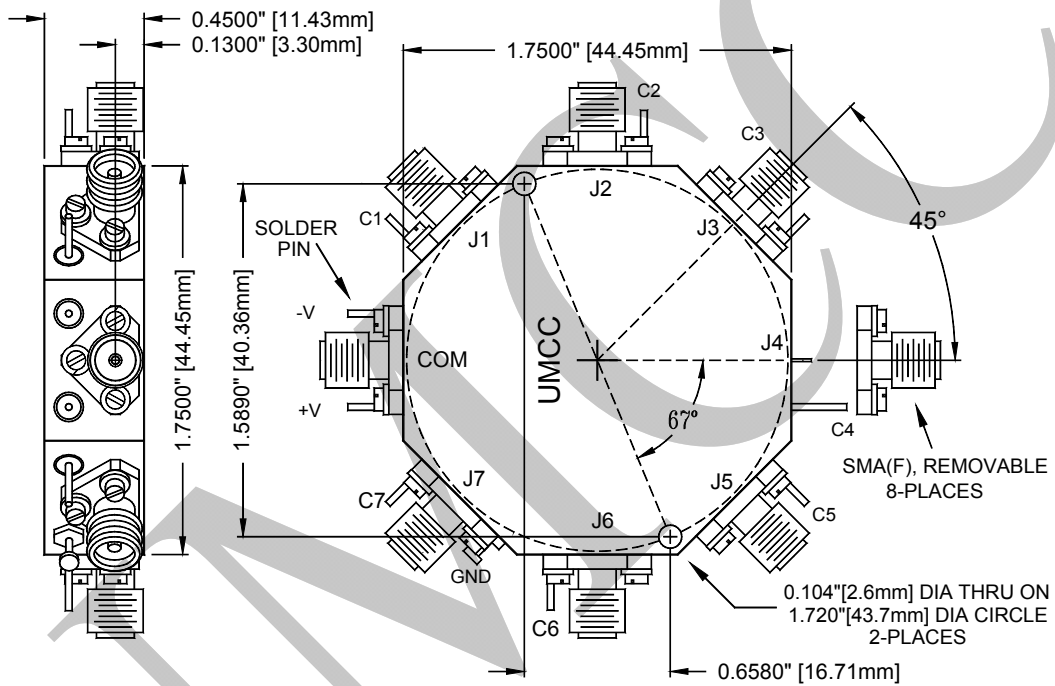
- F1 [ Inverse Logic, (“1” = Path “ON”) ]

\* Recommended for Low Power Consumption <> Additional Switching Delay (ON/OFF time)



Model: SW-DA3W-7S

**Outline**



Weight	Tolerances
1.83 oz [51.9g]	±0.015" [±0.38mm]