



Model: SW-P00W-7S

Description:..... SP7T, Reflective, PIN-Switch

Operating Frequency:..... 2 – 20 GHz

Insertion Loss:

2 – 16 GHz	16 –20 GHz
2.8 dB Max	3.7 dB Max

Isolation (Arm-to-Arm):

2 – 16 GHz	16 –20 GHz
70 dB Min	65 dB Min

VSWR (“ON” paths):..... 1.9:1 Max
 Rise/Fall time (10% to 90% RF, 90% to 10% RF):... 50 ns Max
 On/Off time (50% TTL to 90% RF, 50%TTL to 10% RF):..... 90 ns Max
 Phase Balance (Deviation from Median):..... ±6° max
 Operating Power:..... CW&AVG..... +30dBm Max
 Peak: 10W @ 1µS PW Max
 Control Input Characteristics: Std. TTL /Unit-Load / Floating-High
 Control Logic:..... 7-Controls, Logic “0” = RF Path “ON”
 Power Supplies:..... +5(±0.25)V @ 220mA Max
 -12(±0.5)V @ 90mA Max
 Connectors (RF):..... SMA (f), Removable
 Connectors (Supplies/Controls) Solder Pins
 Impedance:..... 50 Ohms Nominal
 Quality:..... Best-Commercial-Grade

Environmental Ratings:

Temperature:..... {Operating: -55°C to +95°C} & {Storage: -60°C to +110°C}
 Humidity: MIL-STD-202F, Method 103B, Cond. B (96 hours at 95% R.H.)
 Shock: MIL-STD-202F, Method 213B, Cond. B (75G, 6mSec)
 Vibration: MIL-STD-202F, Method 204D, Cond. B (.06” double amplitude, or 15G)
 Altitude: MIL-STD-202F, Method 105C, Cond. B (50,000 Feet)
 Temp. Shock: MIL-STD-202F, Method 107D, Cond. A (5 cycles)

Available Options:

(Units with listed options here may be subject to some specification tradeoffs from the standard, consult factory)

Supply Voltages

- A1 [+5(±0.25)V / -5(±0.25)V]*
- A2 [+5(±0.25)V / -15(±0.5)V]
- A3 [+12(±0.5)V / -12(±0.5)V]
- A4 [+15(±0.5)V / -15(±0.5)V]

RF Connectors

- B1 [J1 – J7 Ports with SMA(M)]
- B2 [All SMA (M)]
- B3 [COM Port with SMA(M)]

Control Function

- F1 [Inverse Logic, (“1” = Path “ON”)]

Video Suppression Filter

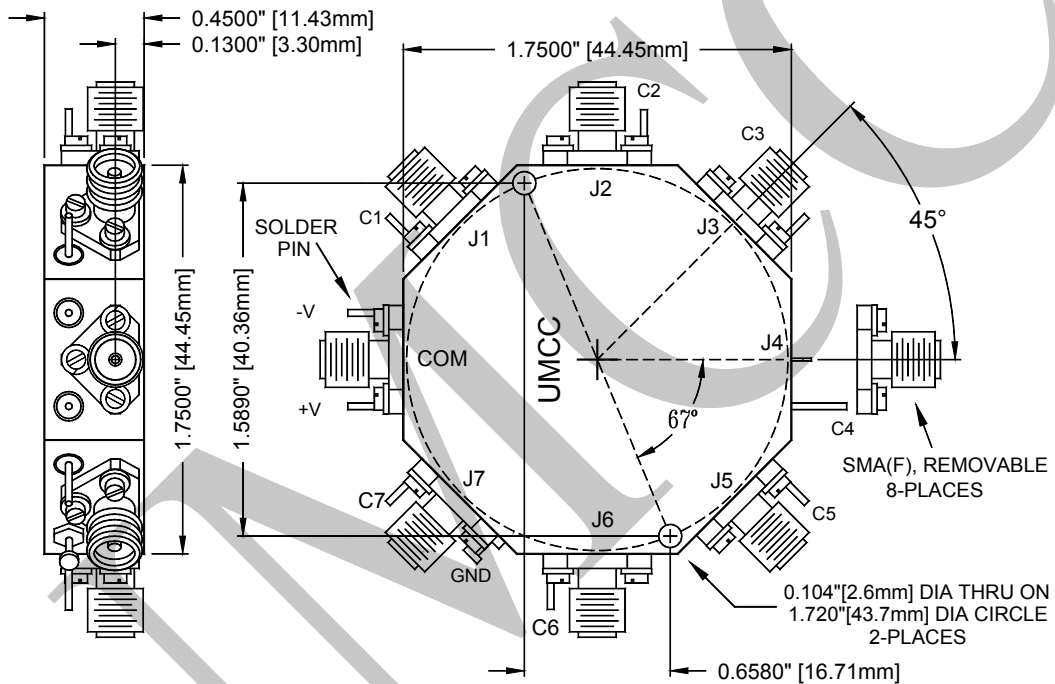
- G1 [VF @ COM Port <-> 0.25 dB additional Loss]
- G2 [VF @ J1 – J7 Ports <-> 0.25 dB additional Loss]
- G3 [VF @ All Ports <-> 0.5 dB additional Loss]

* Recommended for Low Power Consumption <-> Additional Switching Delay (ON/OFF time)



Model: SW-P00W-7S

Outline



Weight	Tolerances
1.83 oz [51.9g]	±0.015" [±0.38mm]