



Model: SW-S01W-7S

Description: SP7T, Absorptive, PIN-Switch
Operating Frequency: 2 - 18 GHz
Insertion Loss: 3.7 dB Max
Isolation:

Table with 2 columns: Frequency Range (2-14 GHz, 14-18 GHz) and Isolation (80 dB Min, 75 dB Min)

VSWR ("ON" Paths & "OFF" Ports): 1.9:1 Max
Rise/Fall time (10% to 90% RF, 90% to 10% RF): 250 ns Max
On/Off time (50% TTL to 90% RF, 50%TTL to 10% RF): 300 ns Max
Phase Balance (Deviation from Median): ±5° max
Operating Power: CW & AVG: +27dBm Max *
Peak: (+24dBm Max into "JX" Port @ Off-State) 5W @ 1µs PW & 10% Duty-Cycle Max
Control Input Characteristics: Std. TTL / Unit-Load / Floating-High
Control Logic: 7-Controls, Logic "0" = RF Path "ON"
Power Supplies: +5(±0.25)V @ 220mA Max
-12(±0.5)V @ 90mA Max
Connectors (RF): SMA (f), Removable
Connectors (Supplies/Controls): Solder Pins
Impedance: 50 Ohms Nominal
Quality: Best-Commercial-Grade

Environmental Ratings:

Temperature: {Operating: -55°C to +95°C} & {Storage: -60°C to +110°C}
Humidity: MIL-STD-202F, Method 103B, Cond. B (96 hours at 95% R.H.)
Shock: MIL-STD-202F, Method 213B, Cond. B (75G, 6mSec)
Vibration: MIL-STD-202F, Method 204D, Cond. B (.06" double amplitude, or 15G)
Altitude: MIL-STD-202F, Method 105C, Cond. B (50,000 Feet)
Temp. Shock: MIL-STD-202F, Method 107D, Cond. A (5 cycles)

Available Options:

(Units with listed options here may be subject to some specification tradeoffs from the standard, consult factory)

Supply Voltages

- A1 [+5(±0.25)V / -5(±0.25)V] *
A2 [+5(±0.25)V / -15(±0.5)V]
A3 [+12(±0.5)V / -12(±0.5)V]
A4 [+15(±0.5)V / -15(±0.5)V]

Control Function

- F1 [Inverse Logic, ("1" = Path "ON")]

RF Connectors

- B1 [J1 - J7 Ports with SMA(M)]
B2 [All SMA (M)]
B3 [COM Port with SMA(M)]

Video Suppression Filter

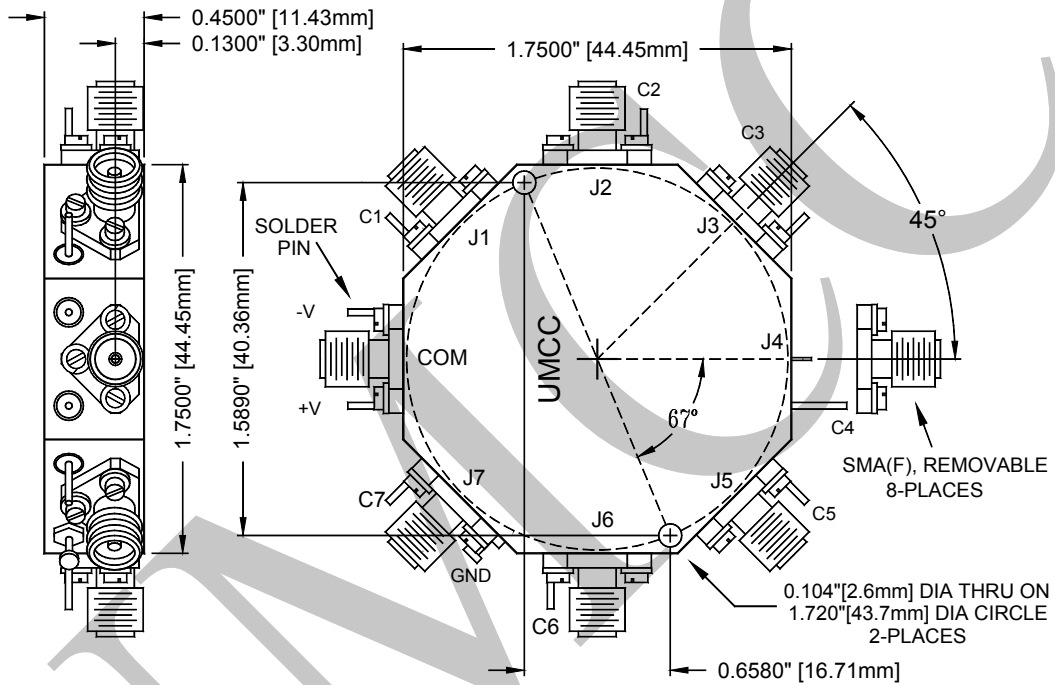
- G1 [VF @ COM Port <> 0.25 dB additional Loss]
G2 [VF @ J1 - J7 Ports <> 0.25 dB additional Loss]
G3 [VF @ All Ports <> 0.5 dB additional Loss]

* Recommended for Low Power Consumption <> Additional Switching Delay (ON/OFF time)



Model: SW-S01W-7S

Outline



Weight	Tolerances
1.83 oz [51.9g]	±0.015" [±0.38mm]