



Model: SW-V040-7S

Description: SP7T, Reflective, PIN-Switch
Operating Frequency: 0.1 – 18 GHz
Insertion Loss: 3.9 dB Max
Isolation:

Table with 2 columns: Frequency Range (0.1 – 8 GHz, 8 – 18 GHz) and Isolation (80 dB Min, 75 dB Min)

VSWR ("ON" paths): 1.9:1 Max
Rise/Fall time (10% to 90% RF, 90% to 10% RF): 350 ns Max
On/Off time (50% TTL to 90% RF, 50%TTL to 10% RF): 400 ns Max
Phase Balance (Deviation from Median): ±6° max
Operating Power: CW&AVG: +27dBm Max
Peak: 5W @ 1µS PW & 10% Duty-Cycle Max
Control Input Characteristics: Std. TTL / Unit-Load / Floating-High
Control Logic: 7-Controls, Logic "0" = RF Path "ON"
Power Supplies: +5(±0.25)V @ 90mA Max
-12(±0.5)V @ 90mA Max
Connectors (RF): SMA (f), Removable
Connectors (Supplies/Controls): Solder Pins
Impedance: 50 Ohms Nominal
Quality: Best-Commercial-Grade

Environmental Ratings:

Temperature: {Operating: -55°C to +95°C} & {Storage: -60°C to +110°C}
Humidity: MIL-STD-202F, Method 103B, Cond. B (96 hours at 95% R.H.)
Shock: MIL-STD-202F, Method 213B, Cond. B (75G, 6mSec)
Vibration: MIL-STD-202F, Method 204D, Cond. B (.06" double amplitude, or 15G)
Altitude: MIL-STD-202F, Method 105C, Cond. B (50,000 Feet)
Temp. Shock: MIL-STD-202F, Method 107D, Cond. A (5 cycles)

Available Options:

(Units with listed options here may be subject to some specification tradeoffs from the standard, consult factory)

Supply Voltages

- A2 [+5(±0.25)V / -15(±0.5)V]
A3 [+12(±0.5)V / -12(±0.5)V]
A4 [+15(±0.5)V / -15(±0.5)V]

RF Connectors

- B1 [J1 – J7 Ports with SMA(M)]
B2 [All SMA (M)]
B3 [COM Port with SMA(M)]

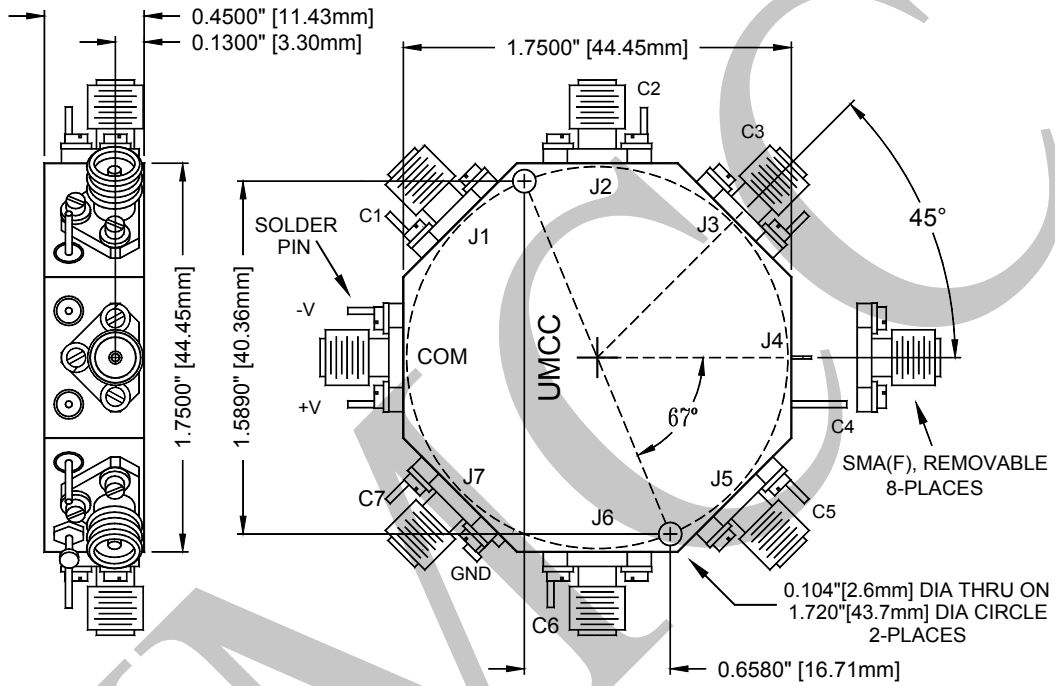
Control Function

- F1 [Inverse Logic, ("1" = Path "ON")]



Model: SW-V040-7S

Outline



| Weight | Tolerances |
|-----------------|-------------------|
| 1.83 oz [51.9g] | ±0.015" [±0.38mm] |