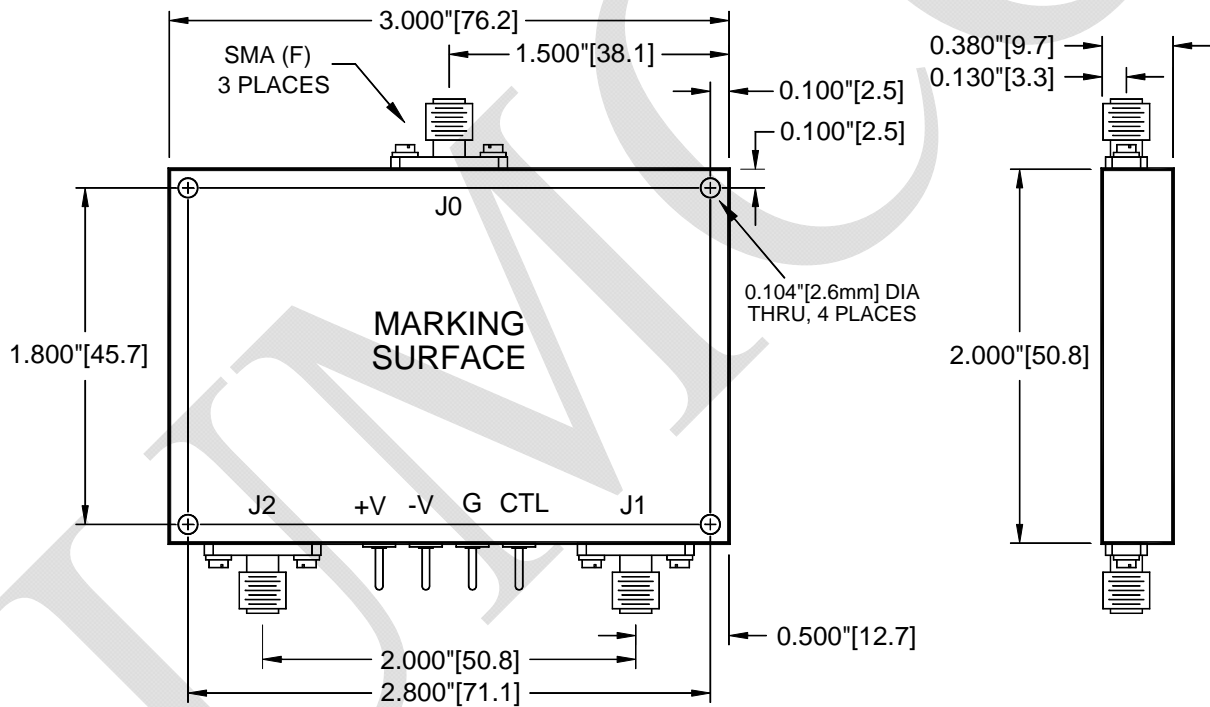


**Outline Drawing (SP2T)**

Model(s)
SR-145H-2S

**Fig. 5**



Weight	Tolerances
	±0.015" [ ±0.38mm ]