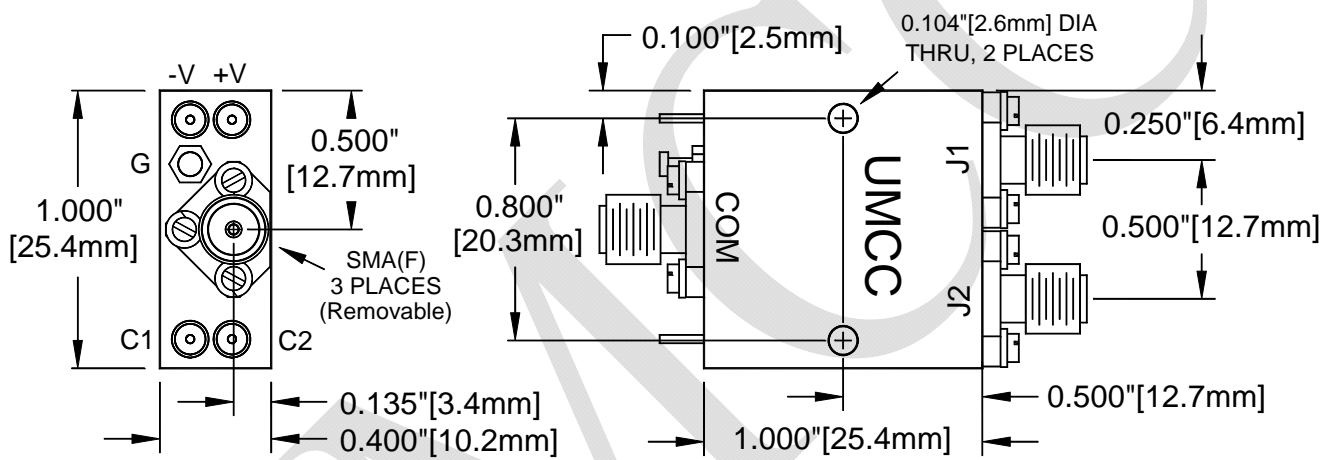


Outline Drawing (SP2T)

Models: **SR-XXXX-2S**

Fig. 3



Weight	Tolerances
0.7 oz [19.8 g]	±0.015" [±0.38mm]