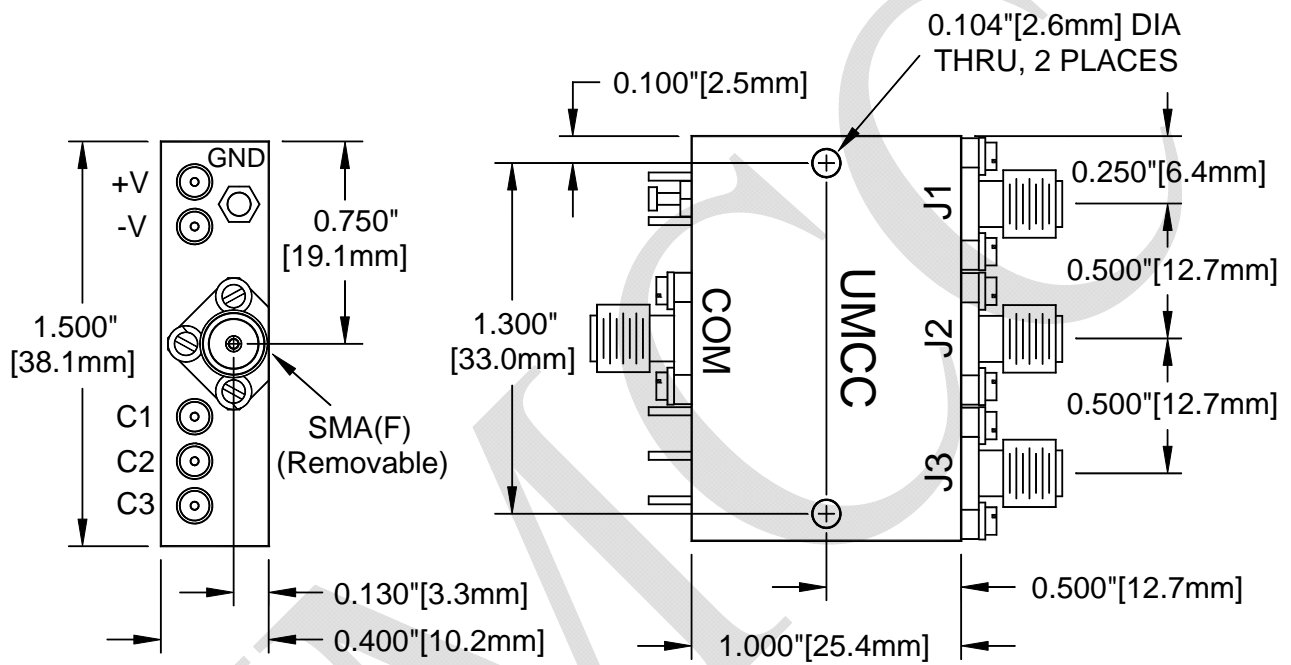


Universal Microwave Components Corp.

[Outline Drawing \(SP3T\)](#)

**Fig. 1**



Weight
1.0 oz [28.3g]